

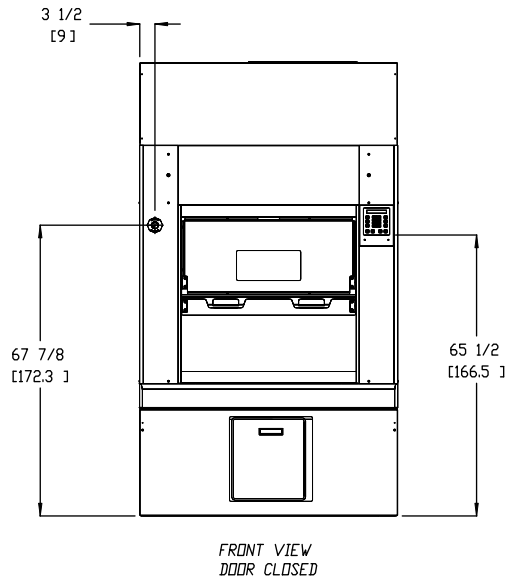
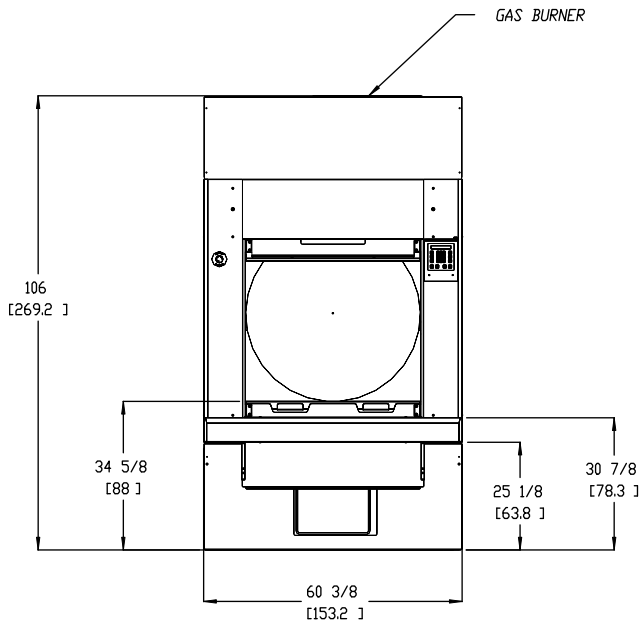
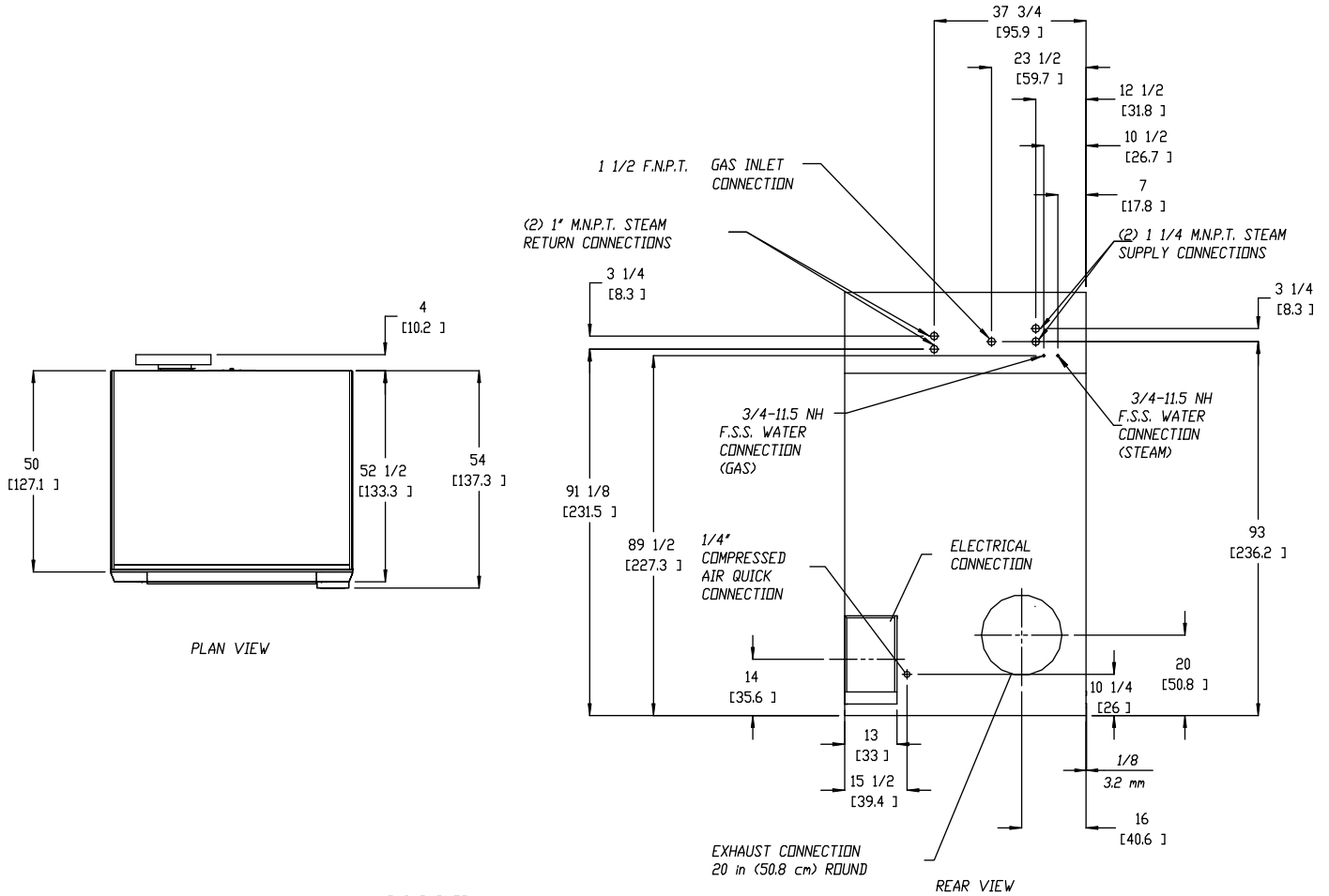
ML202 MANUAL VERTICAL DOOR

DRYER NOTES:

- * DUCTWORK SIZE VARIES WITH INSTALLATION CONDITIONS.
- * EXHAUST STATIC PRESSURE MUST BE NO LESS THAN 0 AND MUST NOT EXCEED 0.3' (0.74 MB) WATER COLUMN.

STEAM DRYER NOTES:

- * SIZE OF PIPING TO DRYER VARIES WITH INSTALLATION CONDITIONS. CONTACT FACTORY FOR ASSISTANCE.
- * STEAM DRYERS MUST BE PROVIDED WITH CLEAN, DRY, REGULATED 80 PSI ± 10 PSI (5.5 BAR ± 0.69 BAR) AIR SUPPLY.



FRONT VIEW DOOR OPEN

FRONT VIEW DOOR CLOSED