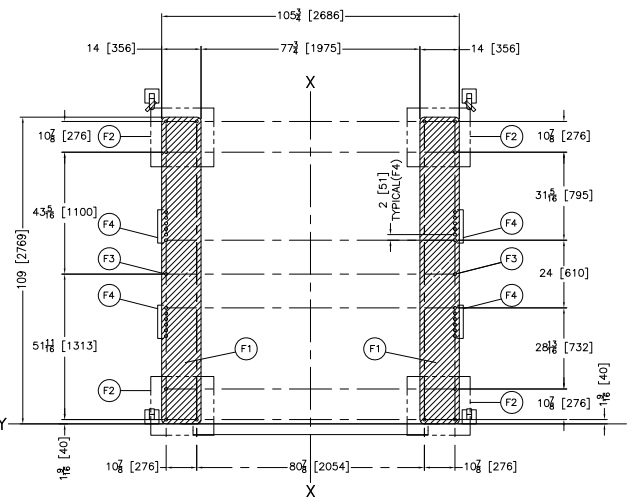
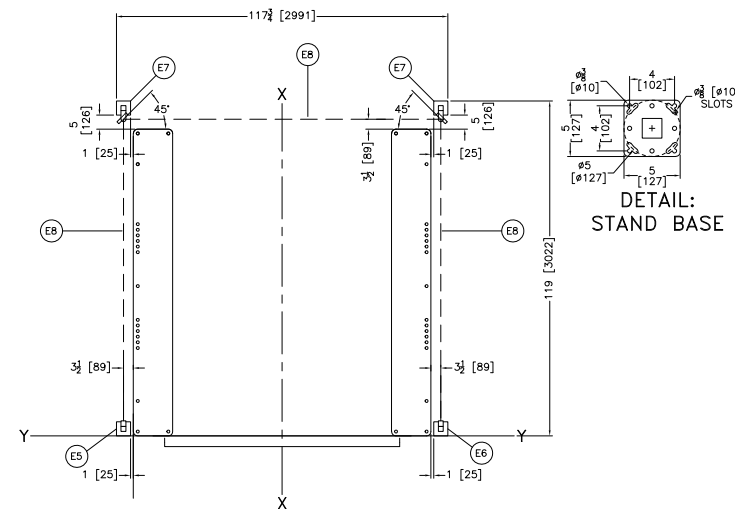


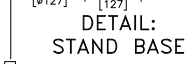
LEFT SHIPPING VIEW



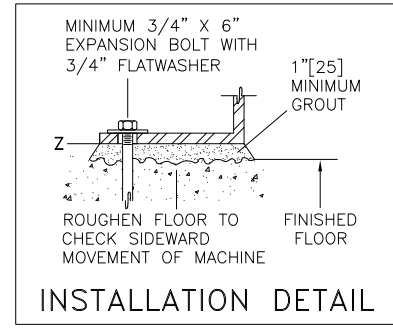
FOUNDATION PLAN



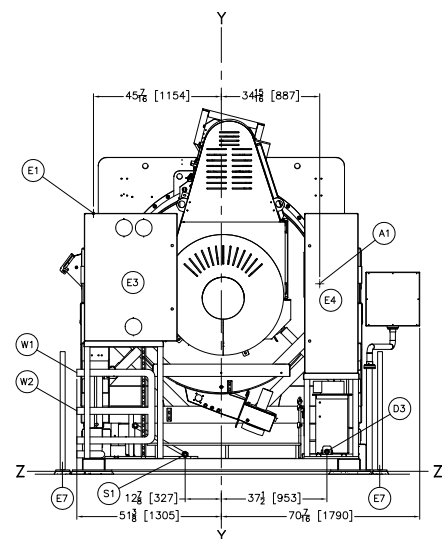
DETAIL: SAFETY SCREEN



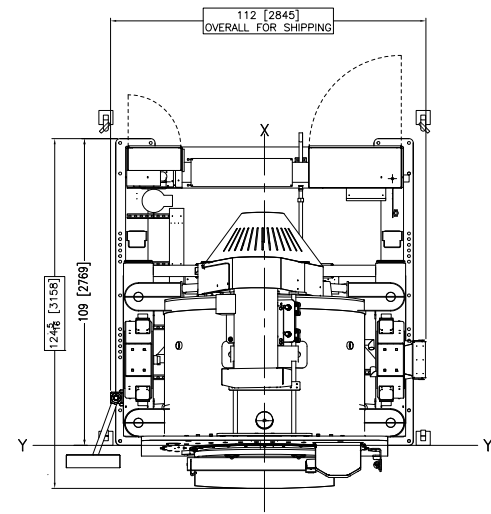
DETAIL: STAND BASE



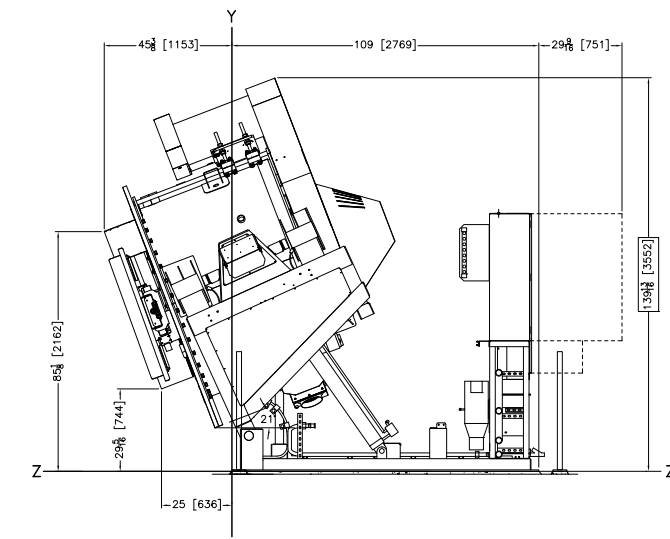
INSTALLATION DETAIL



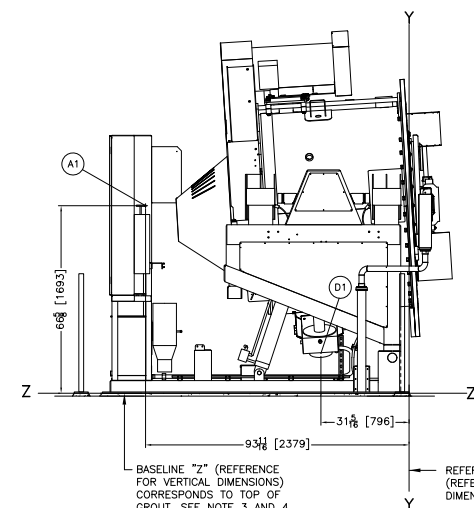
REAR VIEW



PLAN VIEW

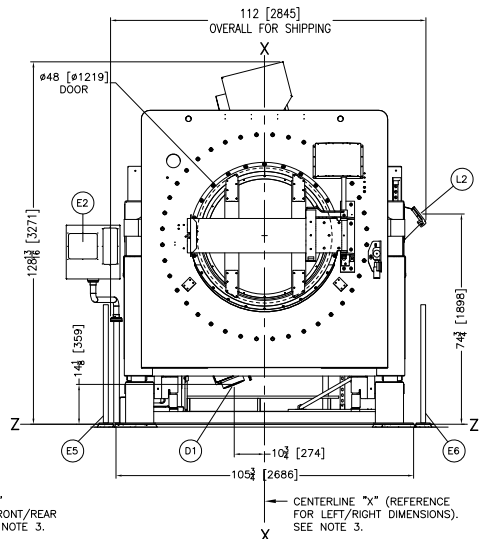


RIGHT UNLOAD VIEW



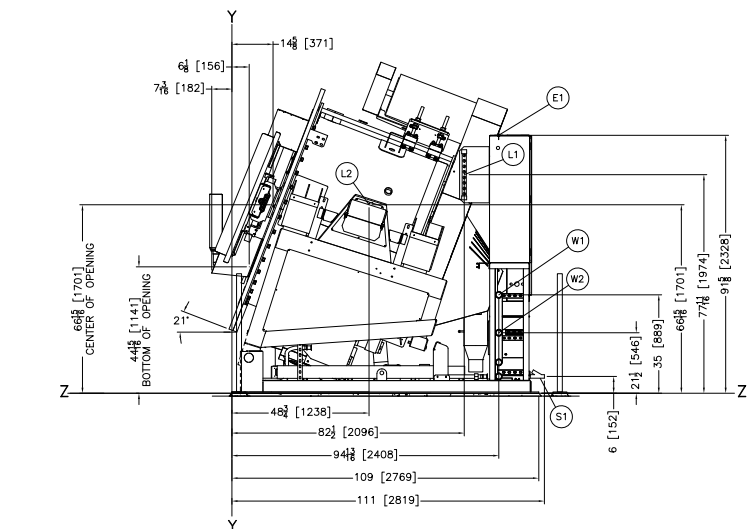
LEFT VIEW

BASELINE "Z" (REFERENCE FOR VERTICAL DIMENSIONS) CORRESPONDS TO TOP OF GROUT. SEE NOTE 3 AND 4.



FRONT VIEW

REFERENCE LINE "Y" (REFERENCE FOR FRONT/REAR DIMENSIONS). SEE NOTE 3.



RIGHT LOAD VIEW

ITEM	LEGEND
X1	SHIPPING TIE DOWN BRACKET
W2	COLD WATER INLET, 2" NPT
W1	HOT WATER INLET, 2" NPT
S1	STEAM INLET 1-1/4" NPT
L2	DRY SUPPLY
L1	PERISTALTIC INLETS, 8 PORTS, STANDARD
F4	1-1/16" DIAMETER ANCHOR BOLT HOLES, USE 3/4" X 6" BOLTS MINIMUM. IF F3 HOLES ARE NOT USED, YOU MUST ANCHOR THE (2) F4 HOLES NEAREST TO F3, BOTH SIDES. ALTERNATE F4 HOLES ARE AVAILABLE TO ACCOMMODATE DRAIN TROUGHS.
F3	1-1/16" DIAMETER ANCHOR BOLT HOLES, USE 3/4" X 6" BOLTS. YOU MUST ANCHOR THESE (2) F3 HOLES OR (4) F4 HOLES.
F2	1-1/16" DIAMETER ANCHOR BOLT HOLES, USE 3/4" X 6" BOLTS MINIMUM. ANCHOR ONE OF THE 3 HOLES IN EACH BOXED AREA.
F1	BASEPADS, SEE NOTE 7.
E8	SAFETY LIGHT SCREEN, DASHED
E7	SAFETY LIGHT SCREEN MIRROR
E6	SAFETY LIGHT SCREEN RECEIVER
E5	SAFETY LIGHT SCREEN EMITTER
E4	LOW VOLTAGE BOX
E3	HIGH VOLTAGE & INVERTER BOX
E2	MiTouch-EX™ TOUCH SCREEN CONTROLLER
E1	MAIN ELECTRICAL CONNECTION
D3	HYDRAULIC TANK, MANUAL DRAIN, 1" NPT
D1	DRAIN VALVE, 8" DIAMETER - STANDARD
B1	DOOR, 48" [1219]
A1	MAIN AIR INLET, 1/4" NPT

- NOTES**
- SAFETY LIGHT SCREEN MUST BE INSTALLED BEFORE OPERATING MACHINE.
 - SOFTWARE CAN ONLY USE 3 WATERS, YOU MAY HAVE OPTIONAL THIRD OR OPTIONAL REUSE. INLETS AS SHOWN.
 - SHIM TO LEVEL THE MACHINE AND ALLOW FOR 1" [25] MINIMUM GROUT. ANCHOR WITH ONE ANCHOR BOLT PER BASEPAD (F1). MINIMUM USE 3/4" X 6" BOLTS. MINIMUM. SEE INSTALLATION MAINTENANCE MANUAL FOR FURTHER INSTRUCTIONS.
 - SHADED AREAS ARE BASE PLATES WHICH MUST BE CONTINUOUSLY SUPPORTED ON 1" [25] THICK GROUT.
 - AS OF THIS WRITING, THE MINIMUM CLEARANCE REQUIRED BY U.S. NATIONAL ELECTRIC CODES, FROM ELECTRIC BOX TO ANY OBJECT IS:
 36 [914] IF OBJECT IS AN UNGROUNDED (INSULATED) WALL.
 42 [1067] IF OBJECT IS A GROUNDED WALL (ie. BARE CONCRETE, BRICK, ETC.)
 48 [1219] IF OBJECT IS ANY LIVE PART.
 CHECK LOCAL ELECTRIC CODES FOR FURTHER RESTRICTIONS.
 - CUSTOMER TO SUPPLY CIRCUIT BREAKER OR FUSED BRANCH CIRCUIT DISCONNECT (SAFETY) SWITCHES WITH LAG TYPE FUSES FROM POWER SOURCE TO MACHINE. A SEPARATE GROUND WIRE MUST BE CONNECTED FROM DISCONNECT TO EQUIPMENT.
 - BASELINE "Z" IS THE SAME FOR ALL MILNOR MACHINES AND IS SHOWN ON ALL DIMENSIONAL DRAWINGS. THE DISTANCE BETWEEN BASELINE "Z" AND THE FINISHED FLOOR MAY VARY (WITH CHANGES IN FLOOR HEIGHT) AS REQUIRED TO INSURE THAT BASELINE "Z" IS HORIZONTAL AND ALL COMPONENTS RECEIVING GROUT ARE SET ON A MINIMUM 1" [25] THICK GROUT BED.
 - USE REFERENCE LINES "X", "Y", AND "Z" TO LOCATE ALL SERVICE CONNECTIONS.
 - NUMBERS IN BRACKETS [] DENOTE DIMENSIONS IN MILLIMETERS.
 - ALL DIMENSIONS SHOWN ARE APPROXIMATE, SUBJECT TO NORMAL MANUFACTURING TOLERANCES, AND TO OCCASIONAL CHANGES WITHOUT NOTICE THROUGH REDESIGN AND/OR RELOCATION OF COMPONENTS, ETC. DO NOT USE FOR CONSTRUCTION UNLESS CERTIFIED AND IN NO EVENT PRE-PIPE CLOSER THAN FIVE FEET FROM MACHINE. FACTORY MUST BE CONSULTED FOR DIMENSIONS IF MACHINE IS TO BE MOVED THROUGH NARROW OR LOW CORRIDORS OR OPENINGS.

ATTENTION
 MOST REGULATORY AUTHORITIES (INCLUDING OSHA IN THE USA) HOLD THE OWNER/USER ULTIMATELY RESPONSIBLE TO MAINTAIN A SAFE WORKING ENVIRONMENT. ACCORDINGLY, THE OWNER/USER MUST RECOGNIZE ALL FORESEEABLE SAFETY HAZARDS, FURNISH SAFETY INSTRUCTIONS AND GUIDANCE TO ALL PERSONNEL WHO MAY COME IN CONTACT WITH THE INSTALLATION, AND PROVIDE ALL NECESSARY ADDITIONAL SAFETY GUARDS, FENCES, RESTRAINTS, DEVICES, ETC., NOT FURNISHED BY THE EQUIPMENT MANUFACTURER OR VENDOR.

ATTENTION
 THE FLOOR AND/OR OTHER SUPPORT COMPONENTS MUST HAVE SUFFICIENT STRENGTH (AND RIGIDITY WITH DUE CONSIDERATION FOR NATURAL OR RESONANT FREQUENCY THEREOF) TO WITHSTAND THE FULLY LOADED WEIGHT OF THE MACHINE INCLUDING THE GOODS, THE WATER, AND ANY REPEATED SINUSOIDAL (ROTATING) FORCES GENERATED DURING ITS OPERATION. WRITE THE FACTORY FOR ADDITIONAL MACHINE DATA FOR USE BY A COMPETENT SOIL AND/OR STRUCTURAL ENGINEER.

6836M5K

