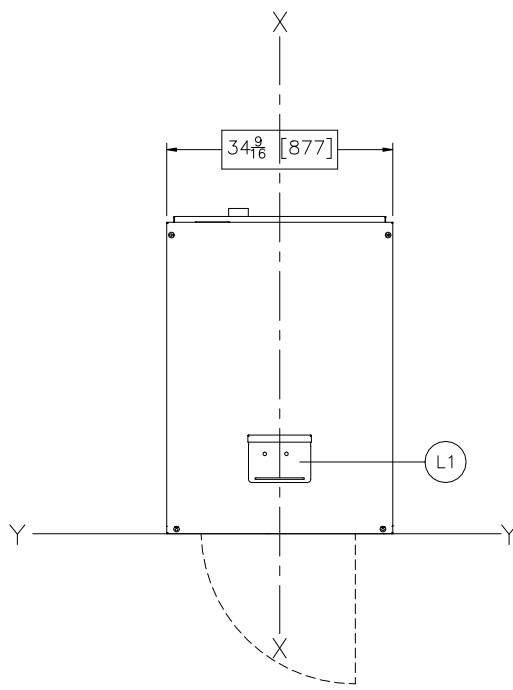
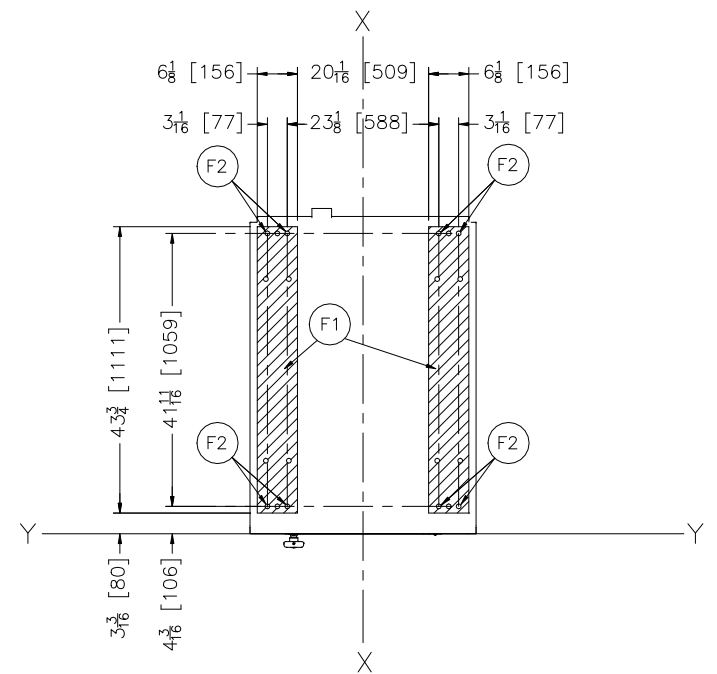


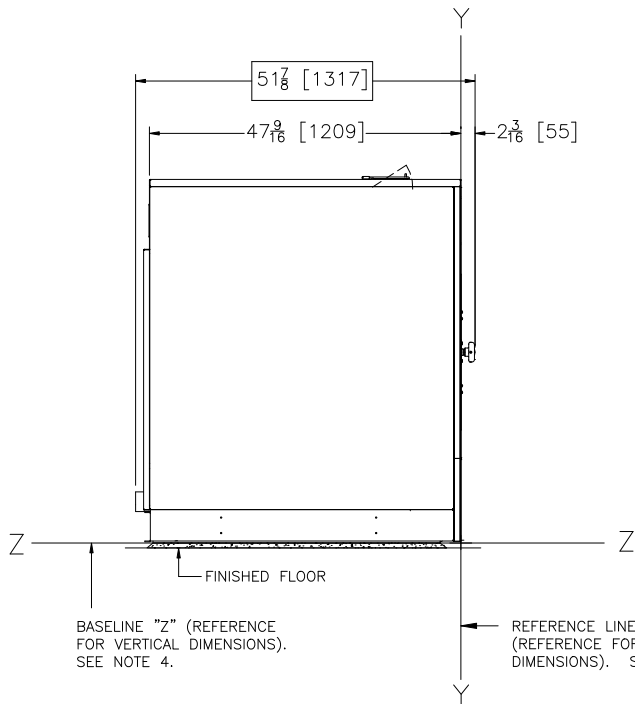
REAR VIEW



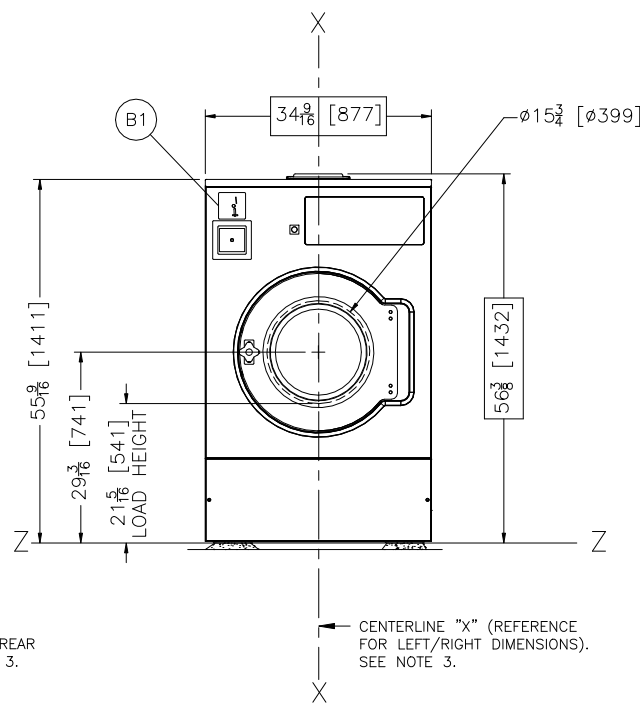
PLAN VIEW



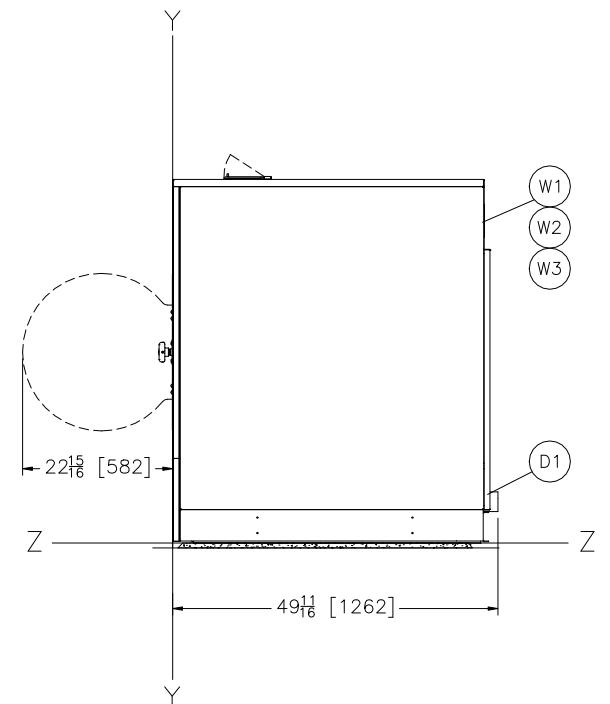
FOUNDATION PLAN



LEFT VIEW



FRONT VIEW



RIGHT VIEW

BASELINE "Z" (REFERENCE FOR VERTICAL DIMENSIONS). SEE NOTE 4.

REFERENCE LINE "Y" (REFERENCE FOR FRONT/REAR DIMENSIONS). SEE NOTE 3.

CENTERLINE "X" (REFERENCE FOR LEFT/RIGHT DIMENSIONS). SEE NOTE 3.

FINISHED FLOOR

LOAD HEIGHT