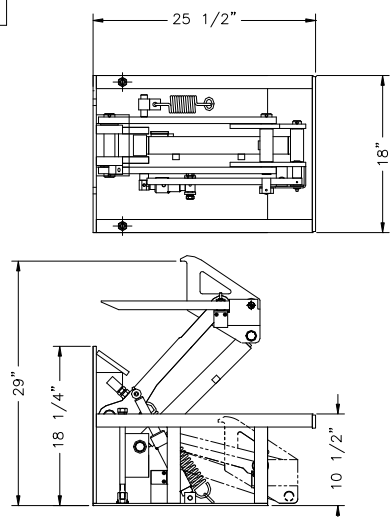


DRAWING NO. 260-6197



NOTE: Refer to appropriate pit construction drawing (available from your Pentallift representative), for dimensions and information relative to pit construction and conduit routing requirements.



PENTALIFT EQUIPMENT CORPORATION
MATERIALS HANDLING EQUIPMENT

NOTICE: THIS DRAWING IN DESIGN AND DETAIL IS THE PROPERTY OF PENTALIFT EQUIPMENT CORPORATION AND IS LOANED SUBJECT TO RETURN ON DEMAND AND UNDER THE EXPRESS CONDITION THAT IT MUST NOT BE COPIED OR USED EXCEPT BY PERMISSION OF PENTALIFT EQUIPMENT CORPORATION.

DRAWN BY

DATE

TITLE

HFR32
VEHICLE RESTRAINT

FOR

SERIES
HFR

SCALE

LOT
QTY

DECIMAL TOLERANCES
± 0.25
(EXCEPT AS NOTED)

FRACTION TOLERANCES
± 1/4
(EXCEPT AS NOTED)

DRAWING NO.

260-6197

REV