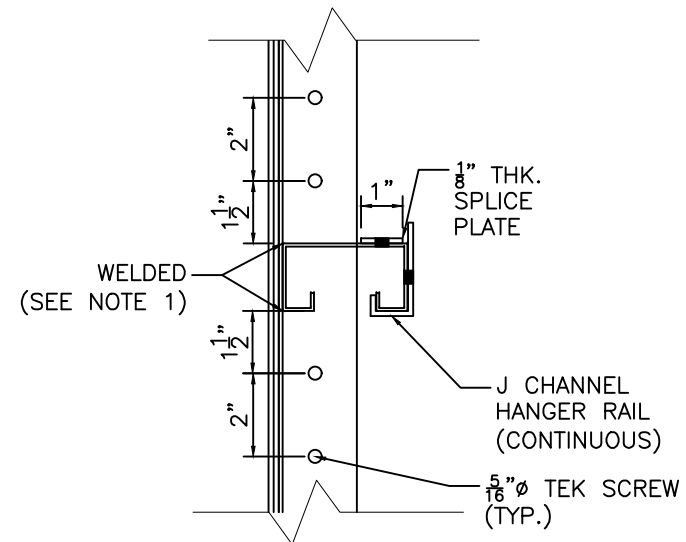
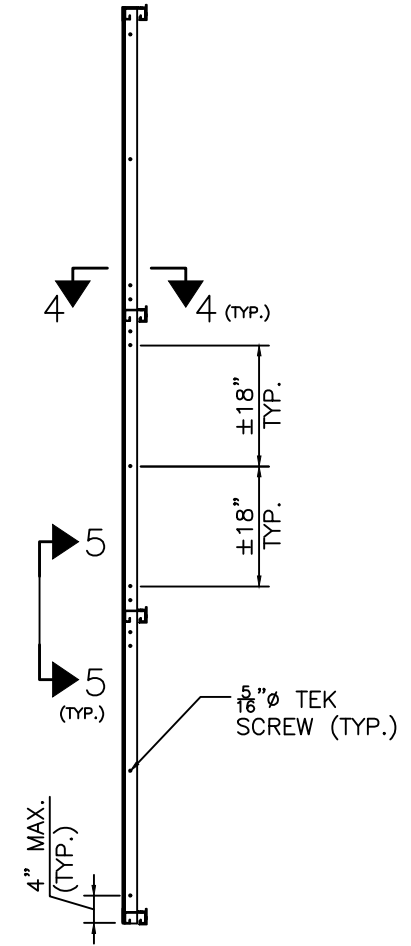


4 SECTION AT MID-SPAN PANEL SPLICE
SCALE: NTS

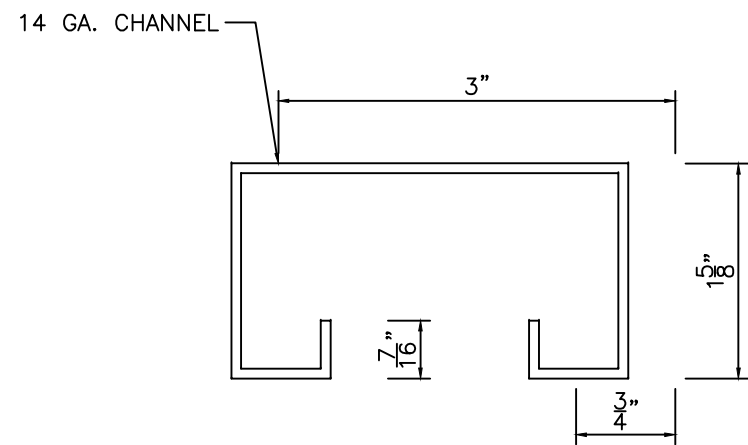
NOTE:
DETAILS SHOWN IN SECTIONS 4 AND 5 ARE
TYPICAL AT PANEL TO PANEL SPLICES AT
MID-SPAN BETWEEN POSTS. ELEVATION 1 AND
DETAIL 3 ARE TYPICAL AT POST LOCATIONS.



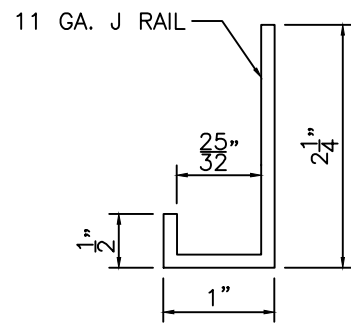
5 SECTION
SCALE: NTS



3A SECTION AT MID-SPAN PANEL SPLICE
SCALE: NTS




6 DETAIL
SCALE: NTS



7 J RAIL
SCALE: NTS

Industrial Fence, Inc.
1300 S. Kilbourn Ave.
Chicago, IL 60623



PROJECT NAME
DRAWING TITLE TYPICAL DETAILS
JOB NUMBER
DATE
MEASURED BY
DRAWN BY
SCALE