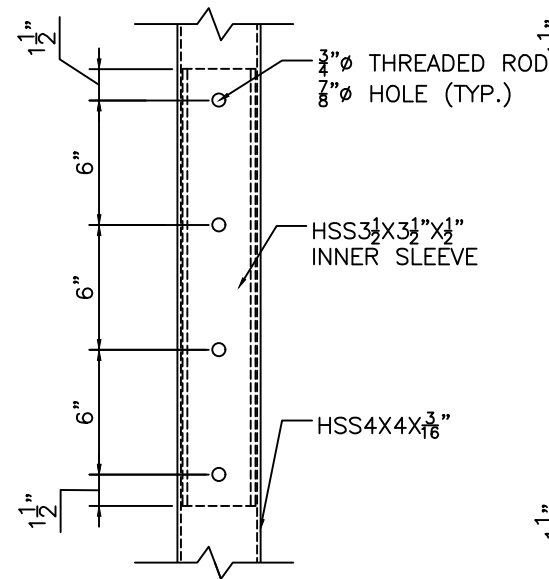
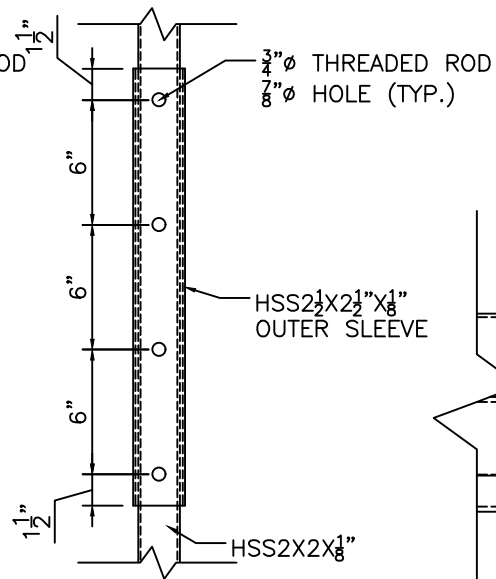


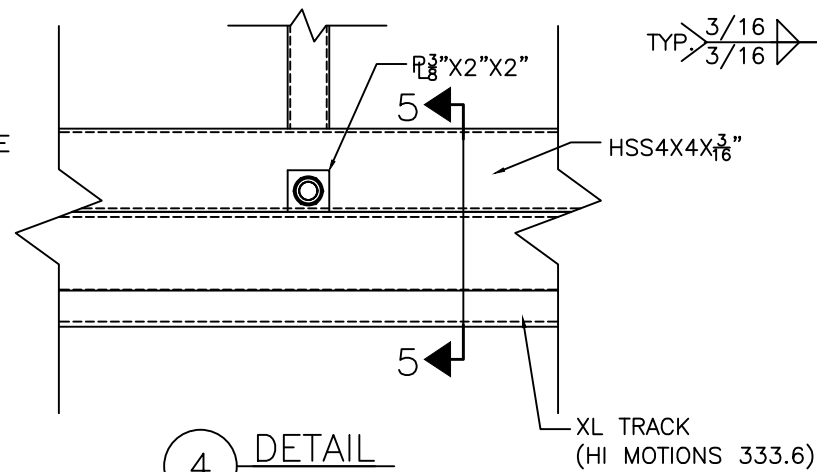
1 CANTILEVER GATE ELEVATION
SCALE: NTS



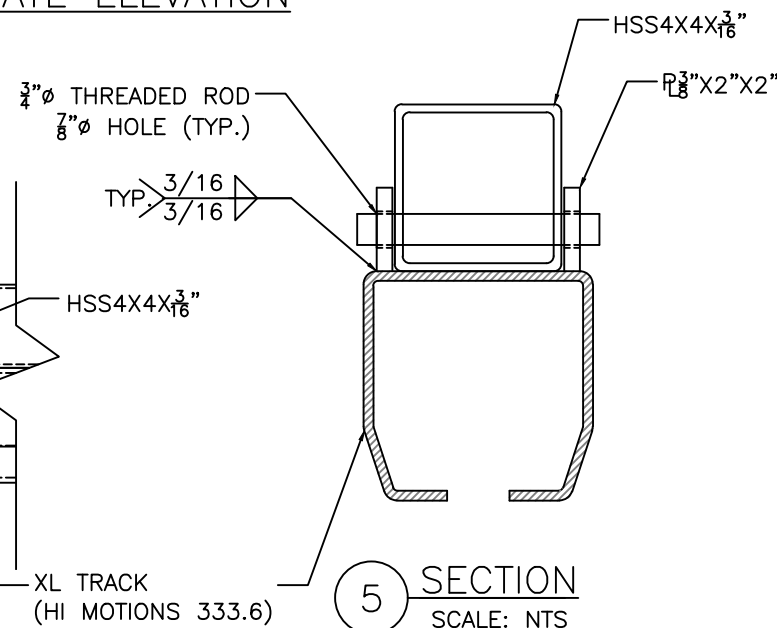
2 DETAIL
SCALE: NTS



3 DETAIL
SCALE: NTS




4 DETAIL
SCALE: NTS



5 SECTION
SCALE: NTS

Industrial Fence, Inc.
1300 S. Kilbourn Ave.
Chicago, IL 60623



PROJECT NAME
DRAWING TITLE 24' OPENING SLIDING GATE
JOB NUMBER
DATE
MEASURED BY
DRAWN BY
SCALE