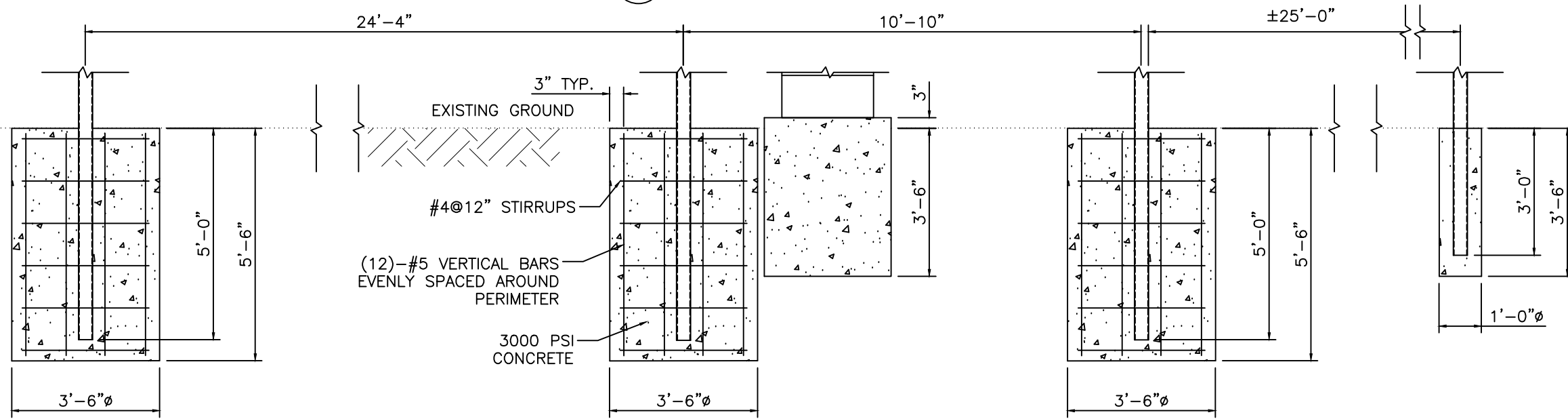



1 CANTILEVER GATE PLAN  
SCALE: NTS



2 24' OPENING GATE FOUNDATION  
SCALE: NTS

**Industrial Fence, Inc.**  
1300 S. Kilbourn Ave.  
Chicago, IL 60623



PROJECT NAME
DRAWING TITLE <b>SLIDING GATE DETAILS II</b>
JOB NUMBER
DATE
MEASURED BY
DRAWN BY
SCALE