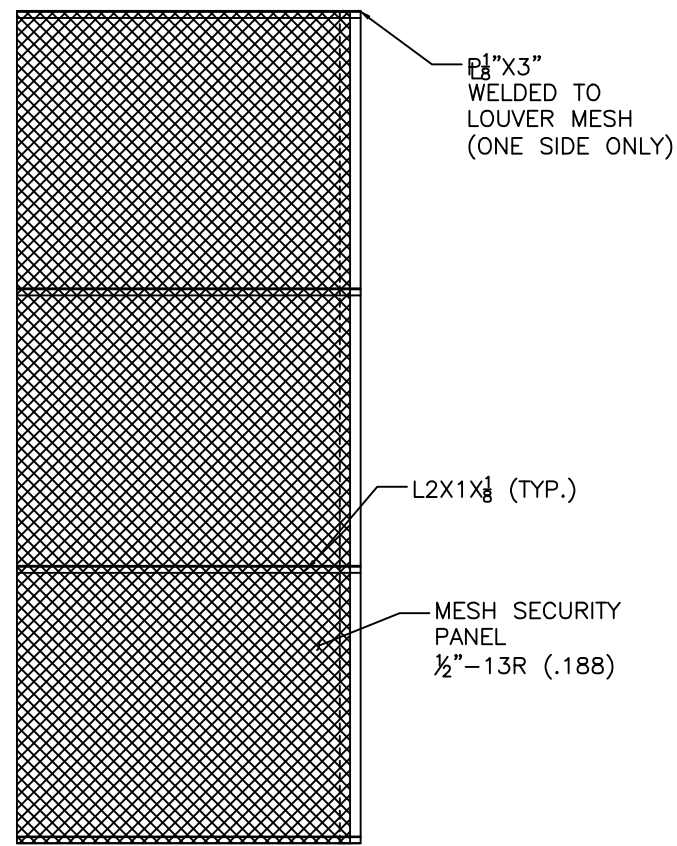
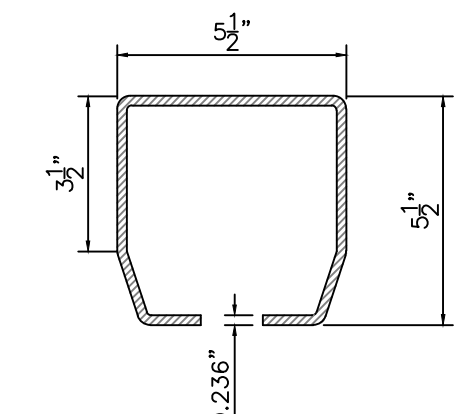


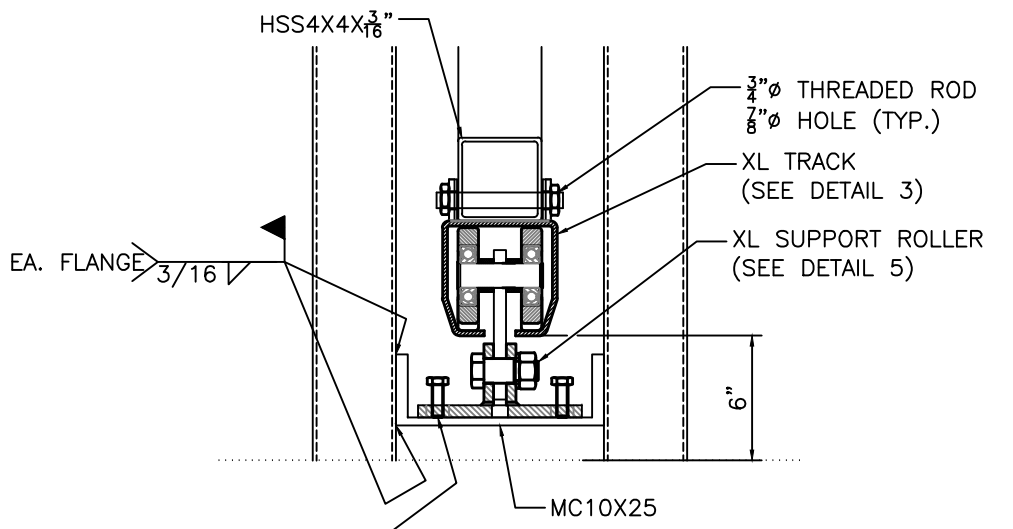
1 SECTION
 SCALE: NTS



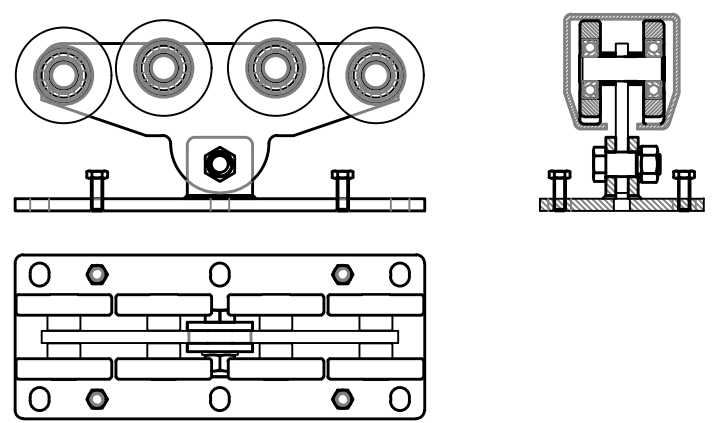
2 LOUVER GATE PANEL
 SCALE: NTS



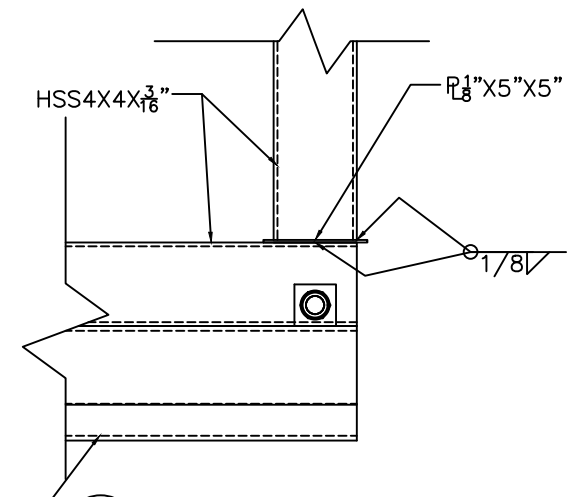
3 XL TRACK DETAIL
 SCALE: NTS



4 DETAIL
 SCALE: NTS




5 SUPPORT ROLLER DETAILS (HI MOTIONS 301.8XL)
 SCALE: NTS



6 XL TRACK (HI MOTIONS 333.6)
 SCALE: NTS

Industrial Fence, Inc.
 1300 S. Kilbourn Ave.
 Chicago, IL 60623



PROJECT NAME
DRAWING TITLE SLIDING GATE DETAILS III
JOB NUMBER
DATE
MEASURED BY
DRAWN BY
SCALE