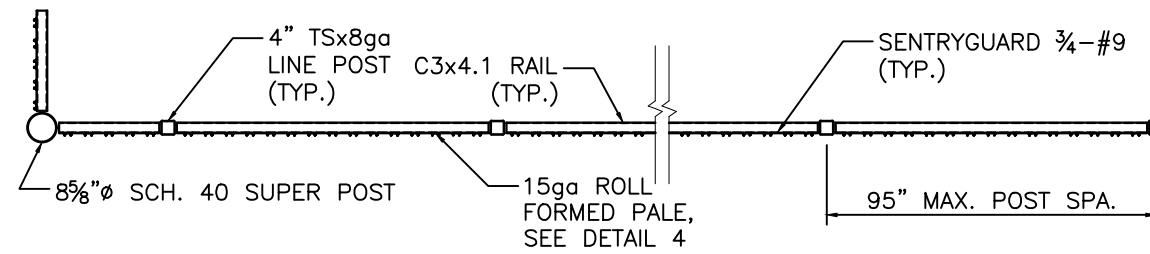
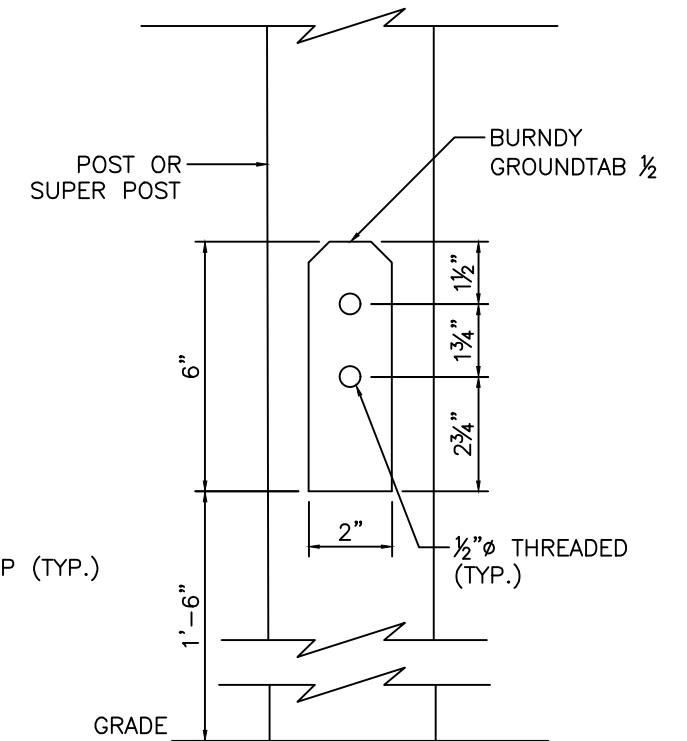


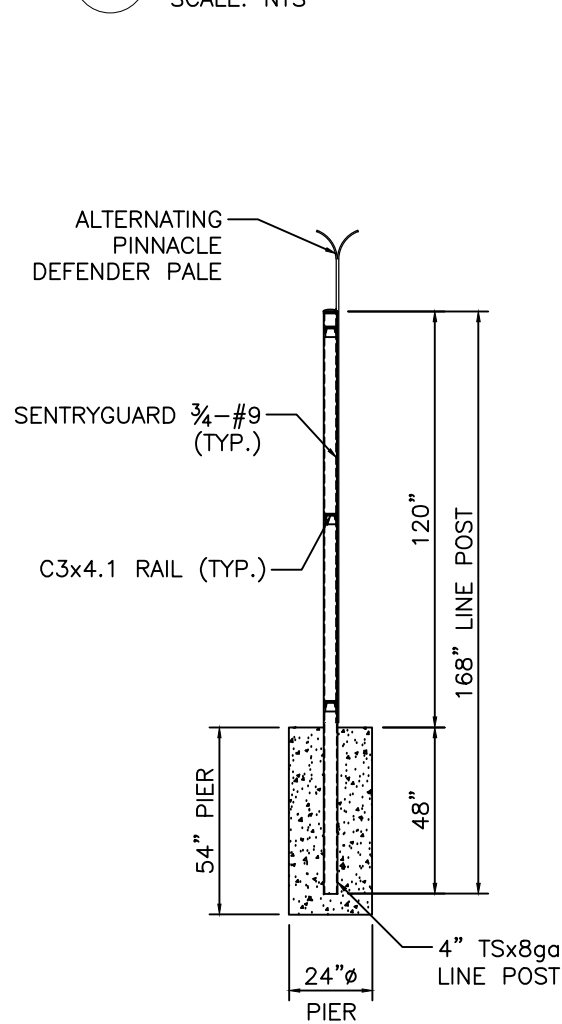
4 PALISADE PICKET DETAIL
SCALE: NTS



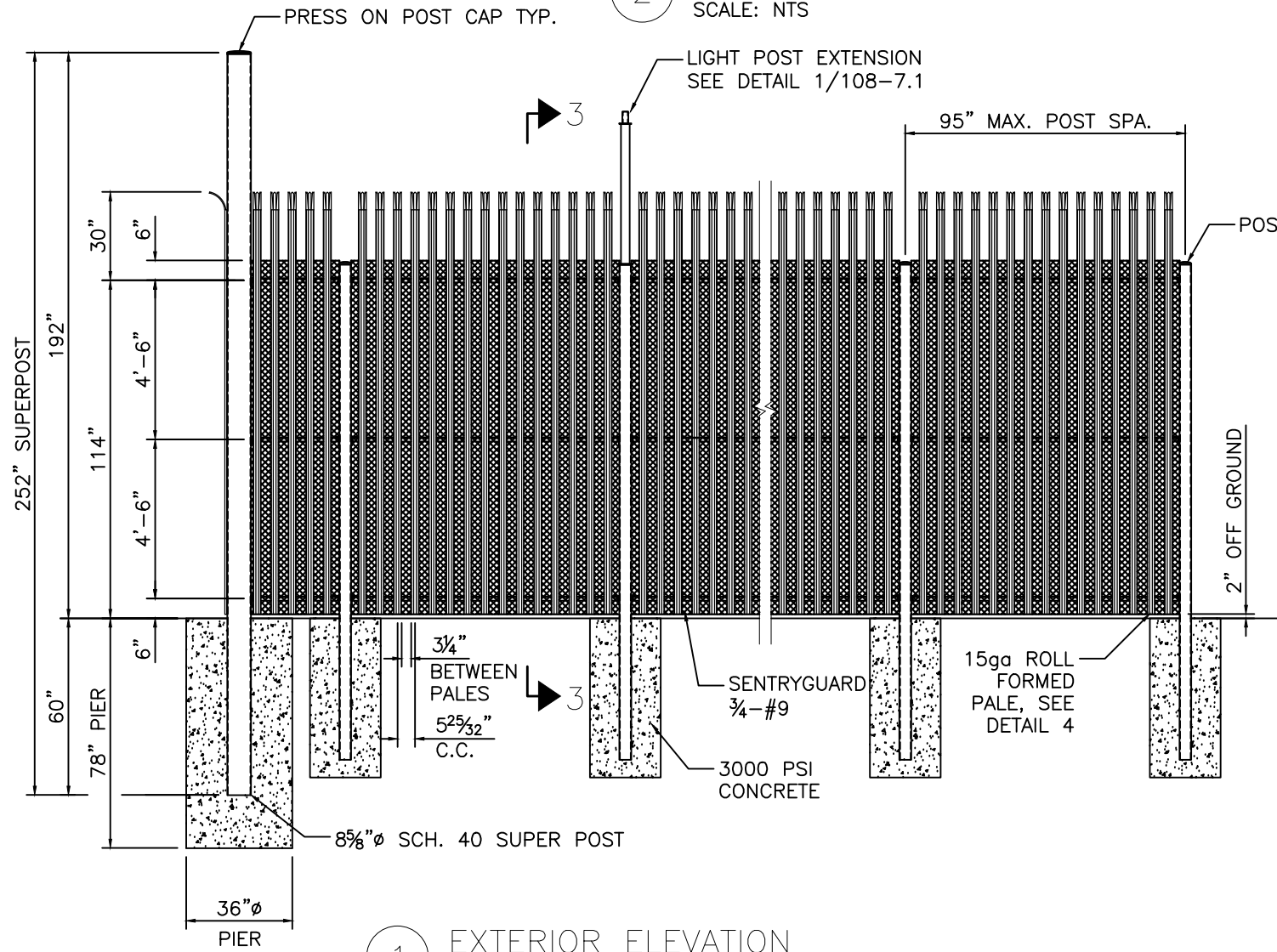
2 PLAN
SCALE: NTS



5 FENCE POST GROUNDING DETAIL
SCALE: NTS




3 SECTION
SCALE: NTS



1 EXTERIOR ELEVATION
SCALE: NTS

Industrial Fence, Inc.
1300 S. Kilbourn Ave.
Chicago, IL 60623



PROJECT NAME
DRAWING TITLE TYPICAL ELEVATION EXTERIOR
JOB NUMBER
DATE
MEASURED BY
DRAWN BY
SCALE