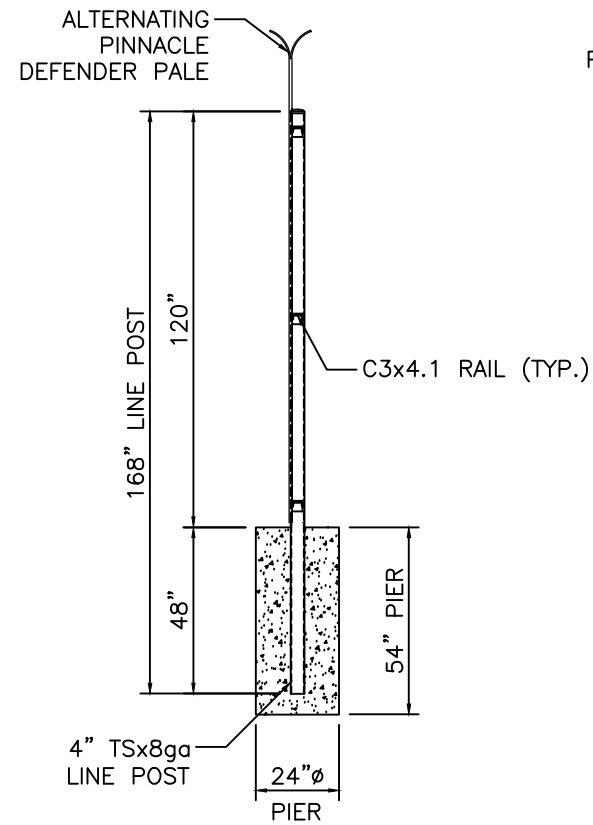
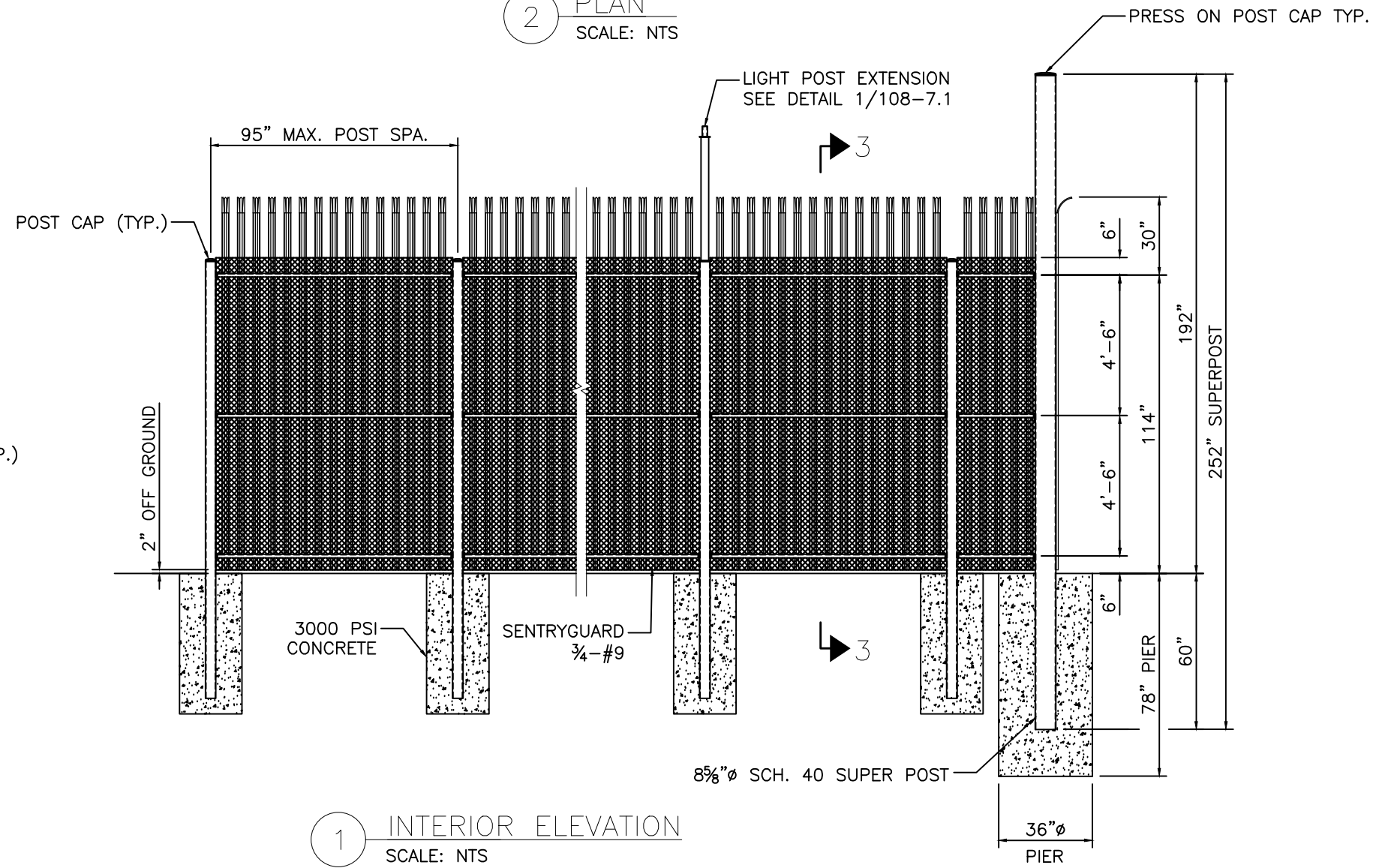


2 PLAN  
SCALE: NTS



3 SECTION  
SCALE: NTS



1 INTERIOR ELEVATION  
SCALE: NTS

**Industrial Fence, Inc.**

1300 S. Kilbourn Ave.  
Chicago, IL 60623



PROJECT NAME
DRAWING TITLE TYPICAL ELEVATION INTERIOR
JOB NUMBER
DATE
MEASURED BY
DRAWN BY
SCALE