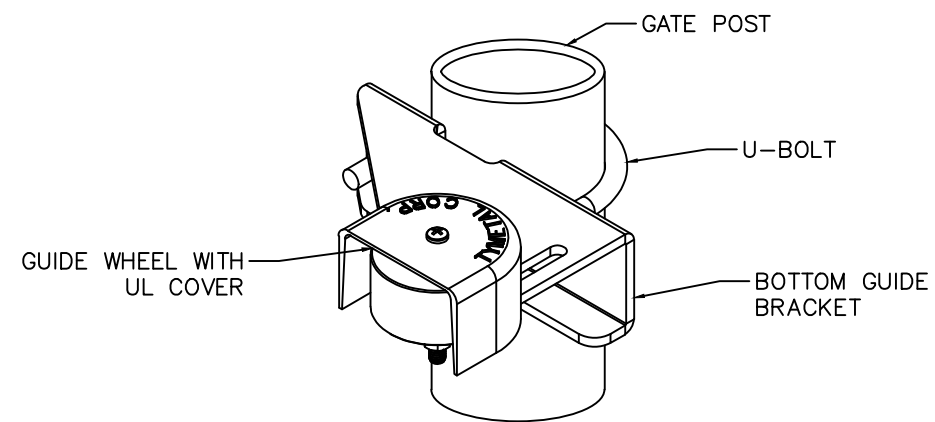
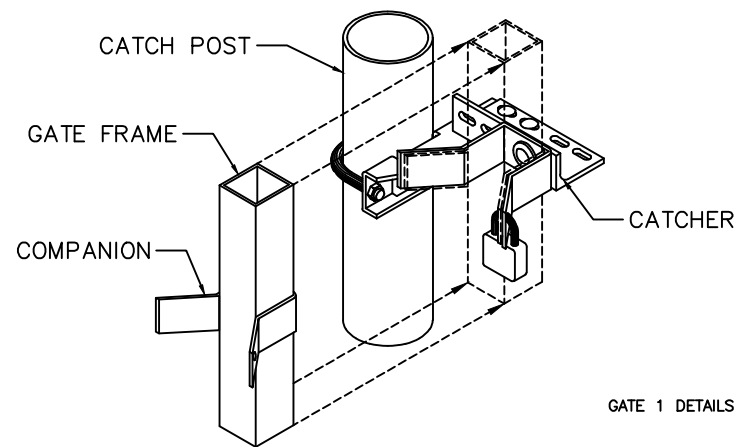


1 GATE HANGER ASSEMBLY
SCALE: NTS

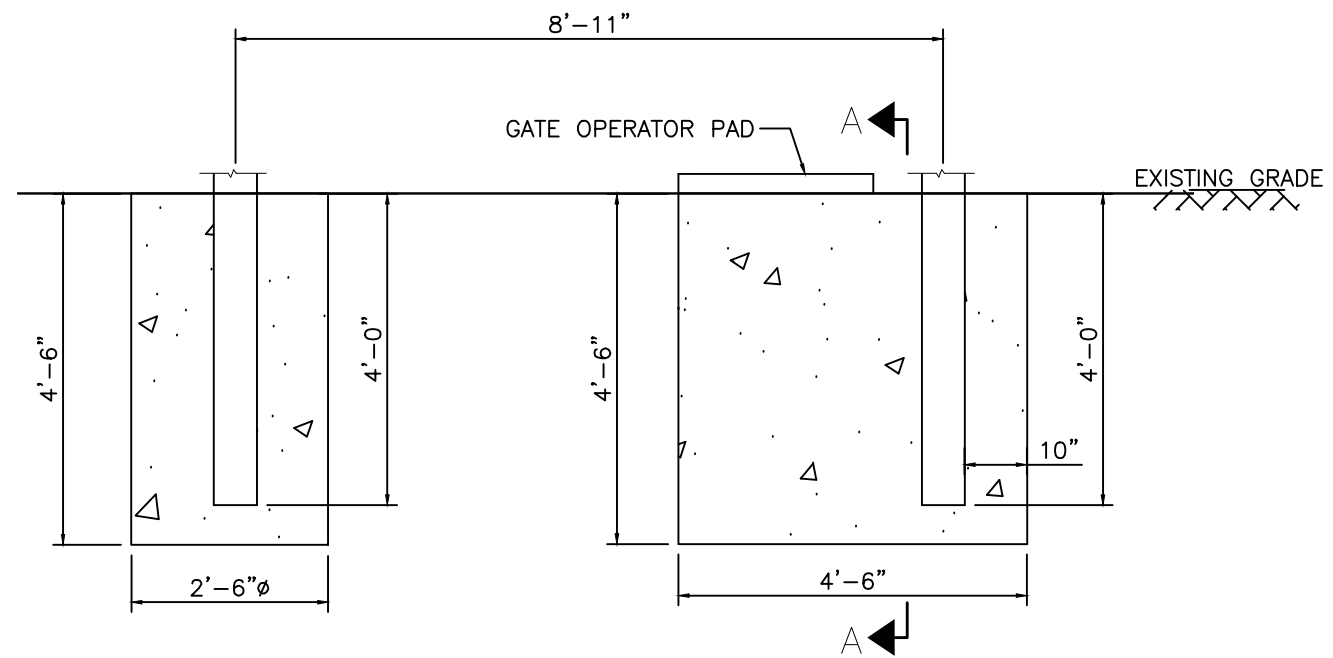


2 BOTTOM GUIDE ASSEMBLY
SCALE: NTS

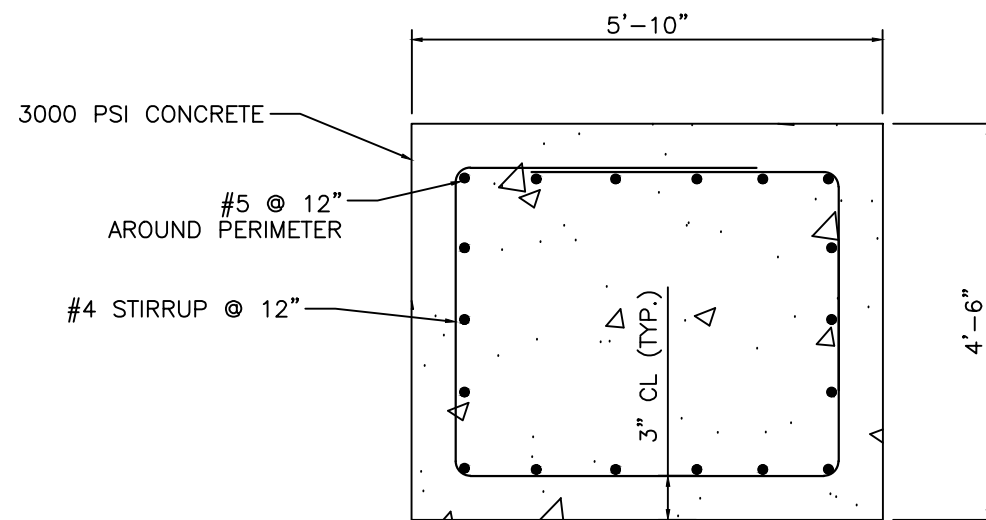


3 CATCH ASSEMBLY
SCALE: NTS

GATE 1 DETAILS



4 GATE FOUNDATION
SCALE: NTS



5 SECTION A-A
SCALE: NTS

NOTE:
REINFORCING NOT
SHOWN FOR CLARITY.

Industrial Fence, Inc.
1300 S. Kilbourn Ave.
Chicago, IL 60623



PROJECT NAME
DRAWING TITLE GATE 1 DETAILS
JOB NUMBER
DATE
MEASURED BY
DRAWN BY
SCALE