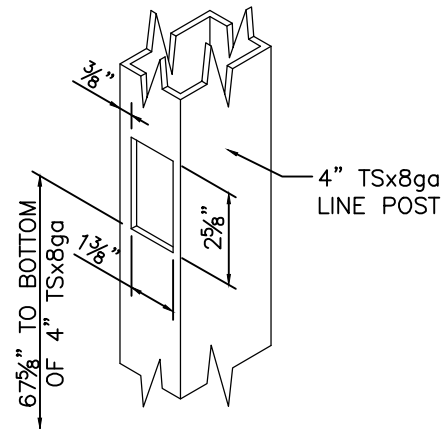
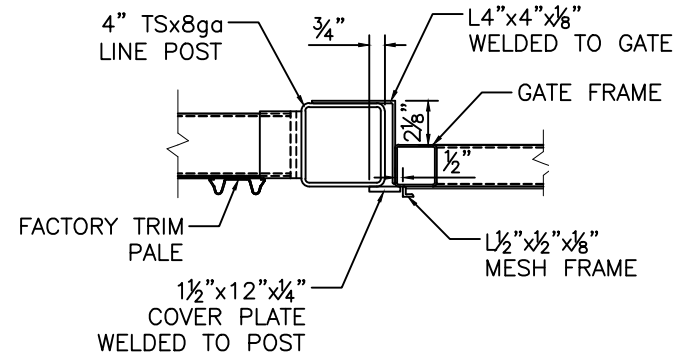


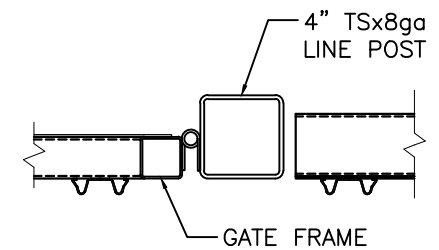
2 GATE PLAN
SCALE: NTS



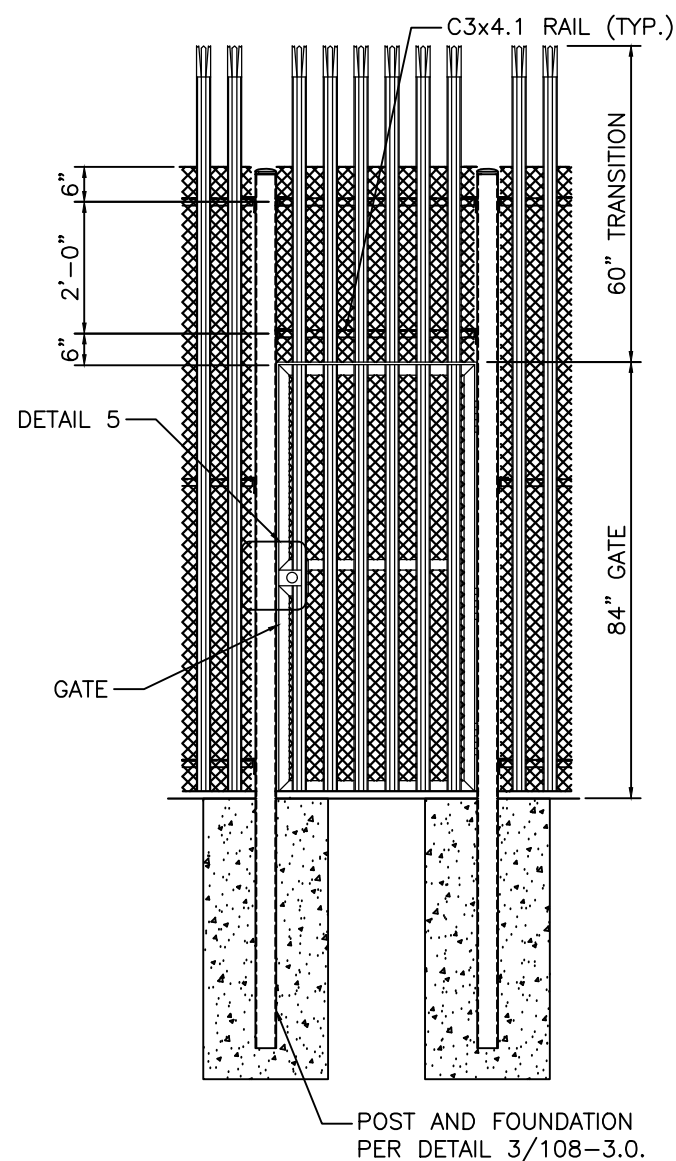
5 DETAIL 5
SCALE: NTS



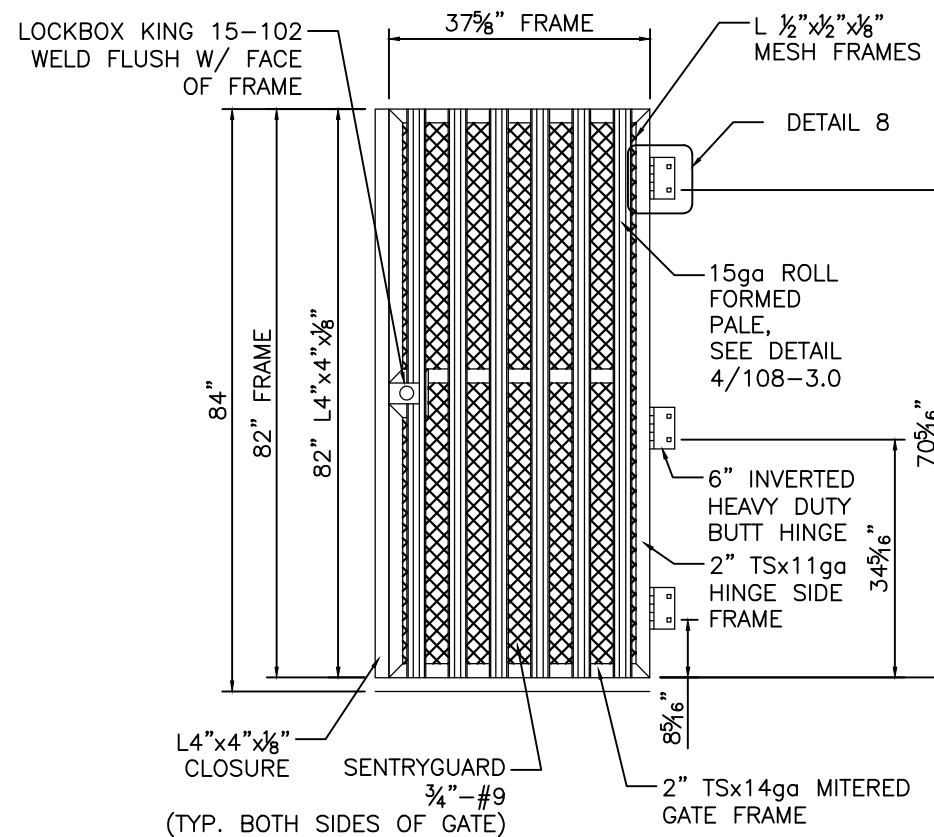
6 DETAIL 6
SCALE: NTS



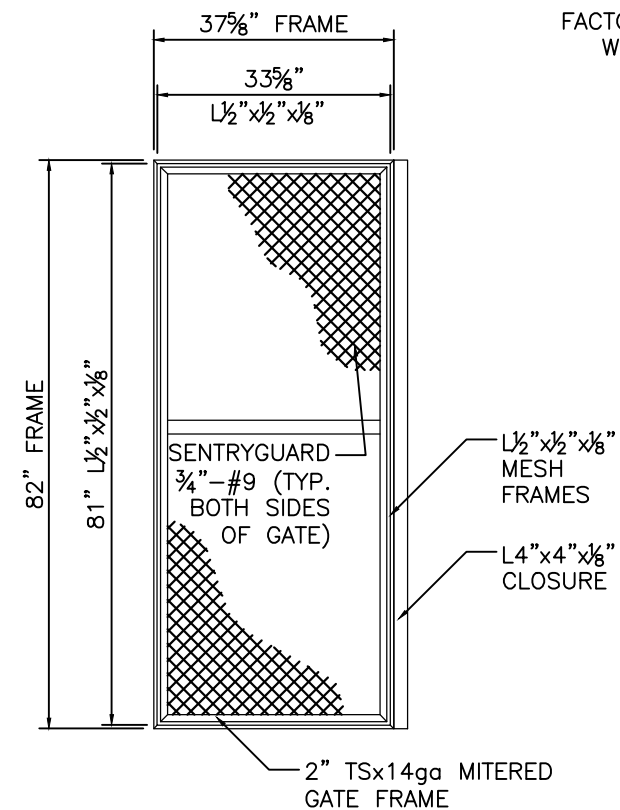
7 DETAIL 7
SCALE: NTS



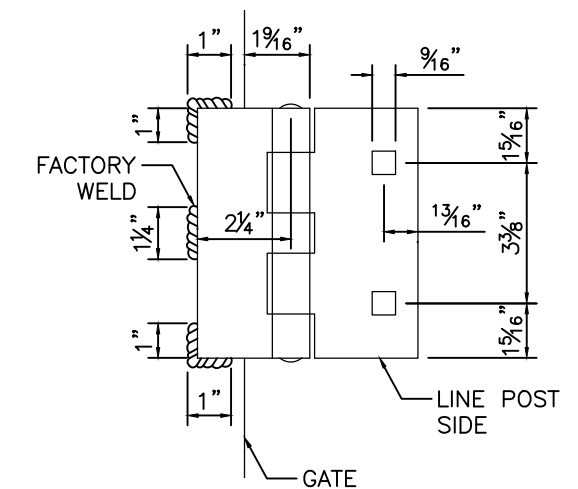
1 TYPICAL MAN GATE ELEVATION
SCALE: NTS



3 EXT. GATE ELEVATION
SCALE: NTS



4 INT. GATE ELEVATION
SCALE: NTS



8 DETAIL 8
SCALE: NTS

NOTE:
FIELD TO INSTALL GATE CONTACTS.

Industrial Fence, Inc.
1300 S. Kilbourn Ave.
Chicago, IL 60623



PROJECT NAME
DRAWING TITLE GATE II PLAN & ELEVATION
JOB NUMBER
DATE
MEASURED BY
DRAWN BY
SCALE