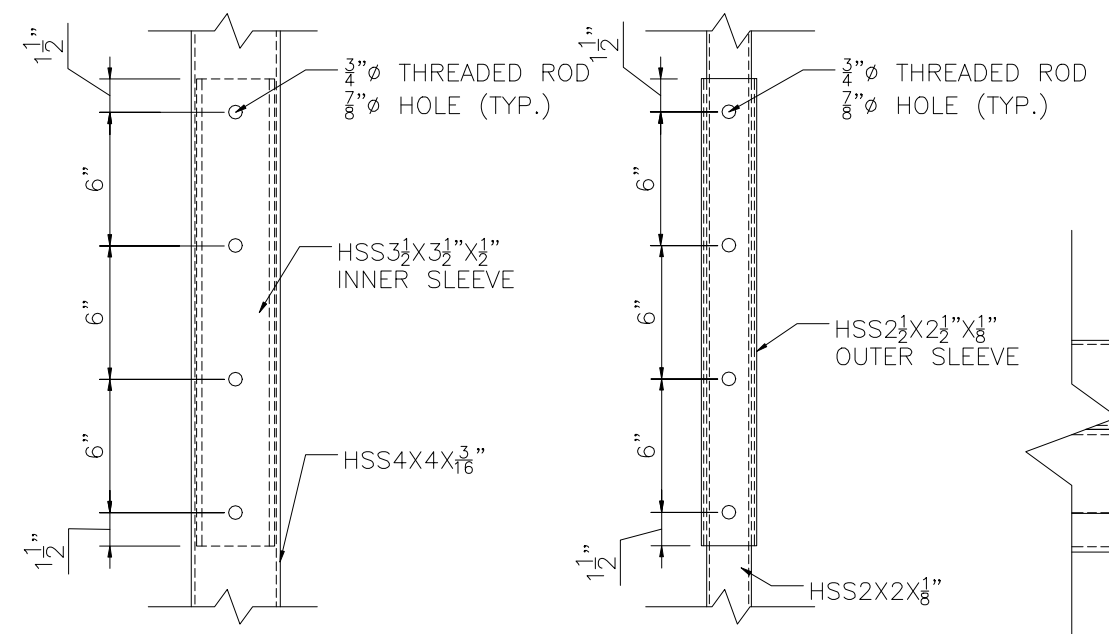
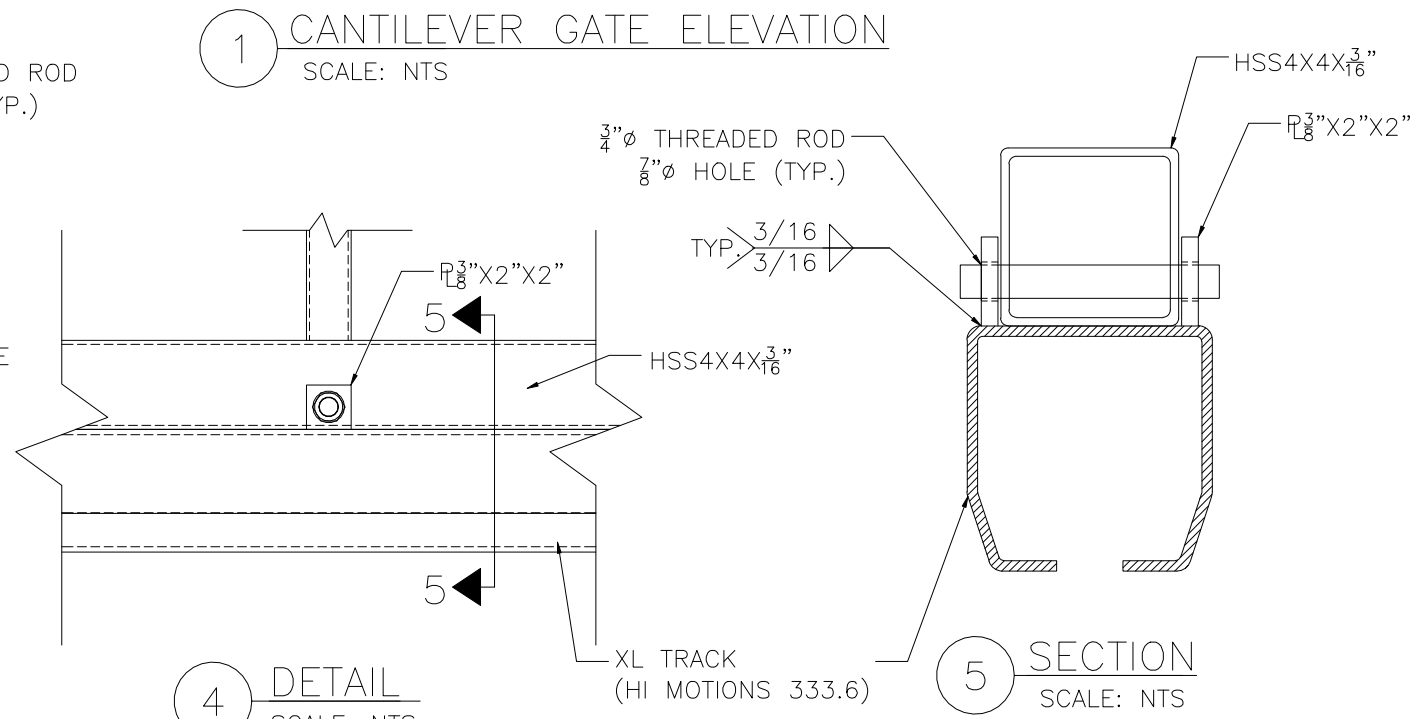


1 CANTILEVER GATE ELEVATION  
SCALE: NTS



2 DETAIL  
SCALE: NTS

3 DETAIL  
SCALE: NTS



4 DETAIL  
SCALE: NTS

5 SECTION  
SCALE: NTS

**Industrial Fence, Inc.**  
1300 S. Kilbourn Ave.  
Chicago, IL 60623

PROJECT NAME
DRAWING TITLE <b>AstroSlide Extreme Gate</b>
JOB NUMBER
DATE
MEASURED BY
DRAWN BY
SCALE