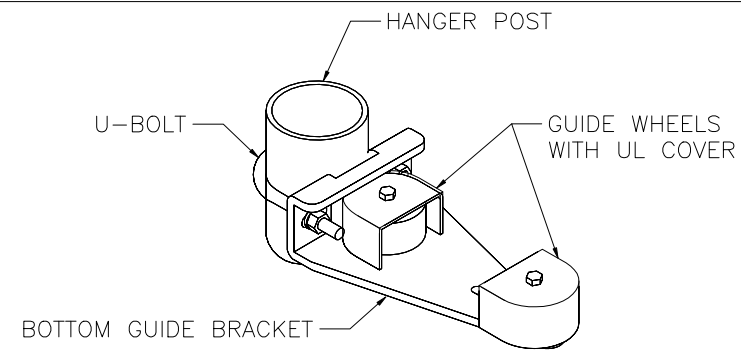
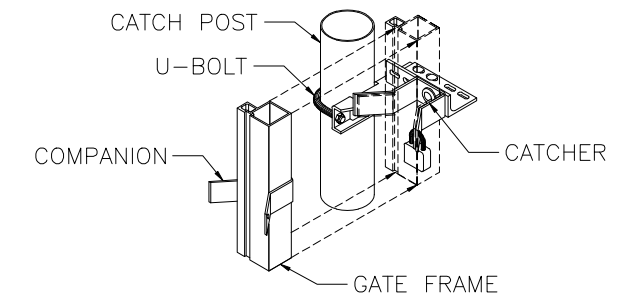


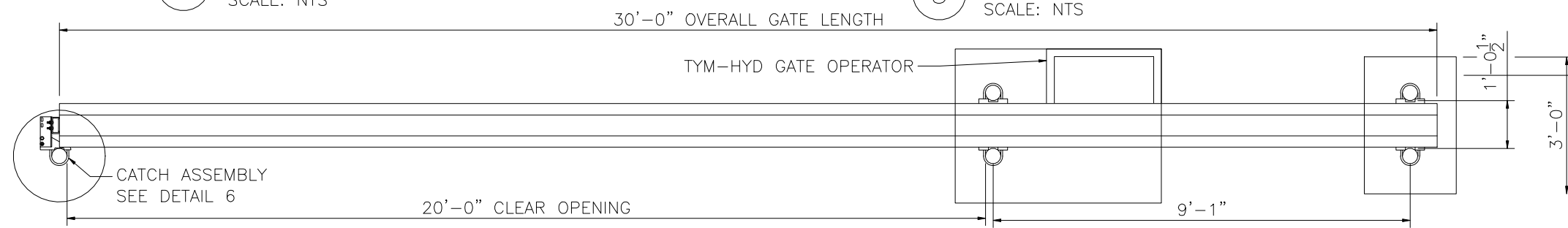
4 GATE HANGER ASSEMBLY
SCALE: NTS



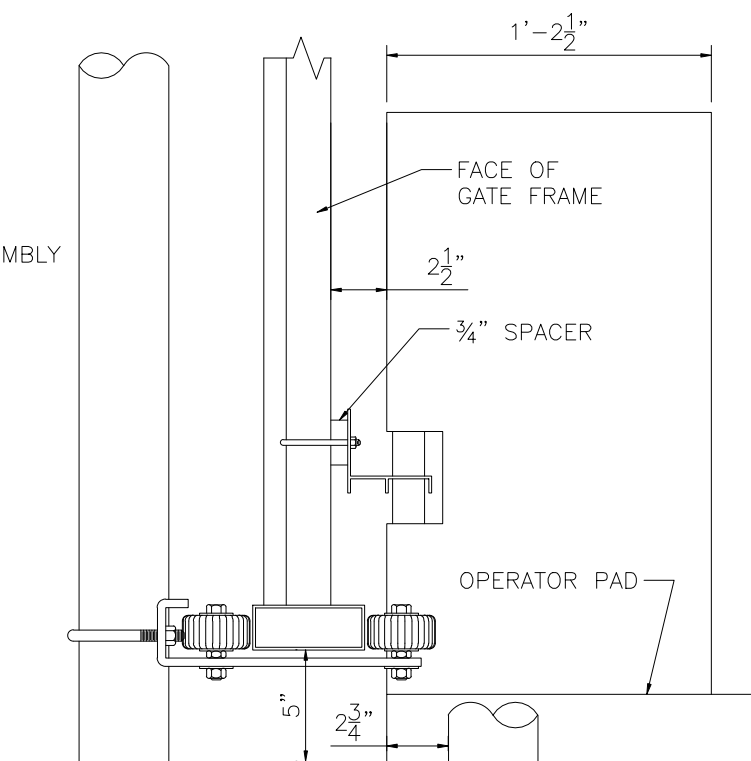
5 BOTTOM GUIDE ASSEMBLY
SCALE: NTS



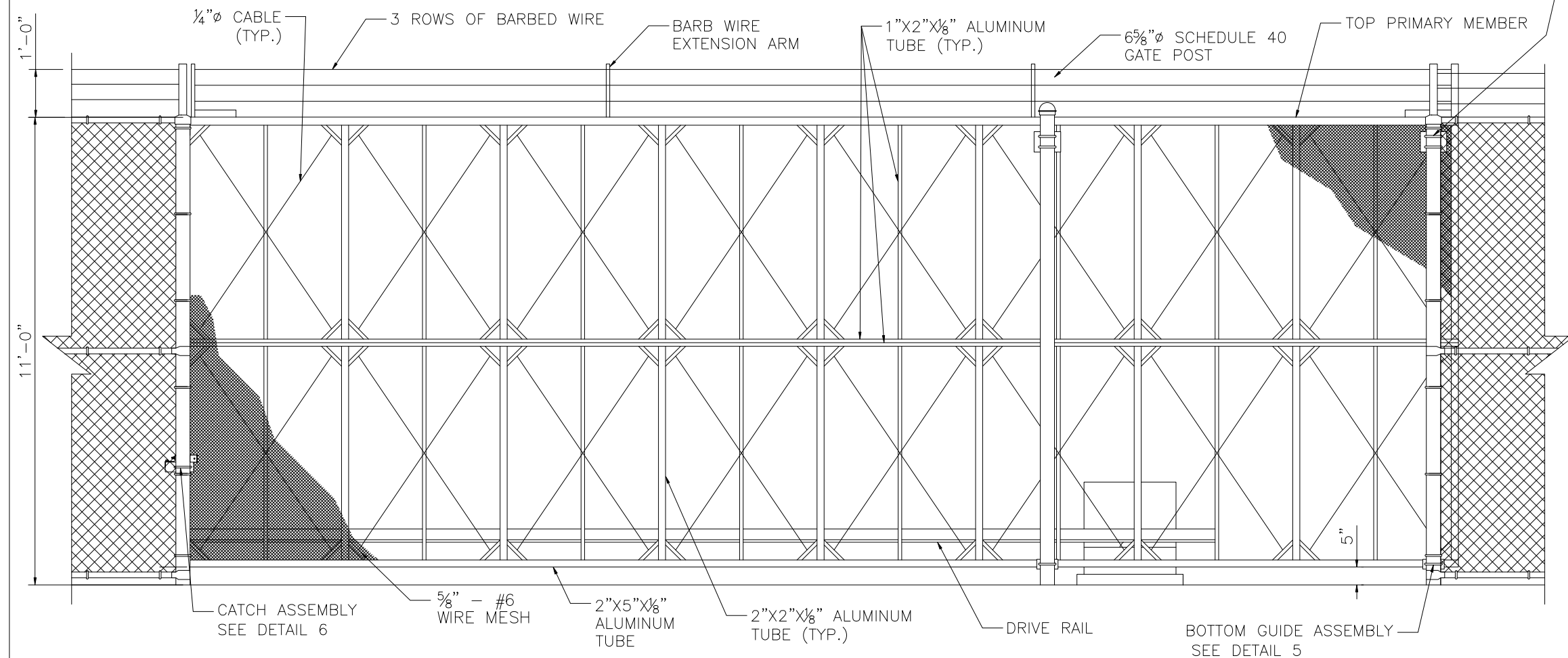
6 CATCH ASSEMBLY
SCALE: NTS



2 GATE PLAN
SCALE: NTS



3 OPERATOR SIDE ELEVATION
SCALE: NTS



1 CANTILEVER GATE ELEVATION
SCALE: NTS

Industrial Fence, Inc.
1300 S. Kilbourn Ave.
Chicago, IL 60623



PROJECT NAME	
DRAWING TITLE	AstroSlide Gate
JOB NUMBER	
DATE	
MEASURED BY	
DRAWN BY	
SCALE	