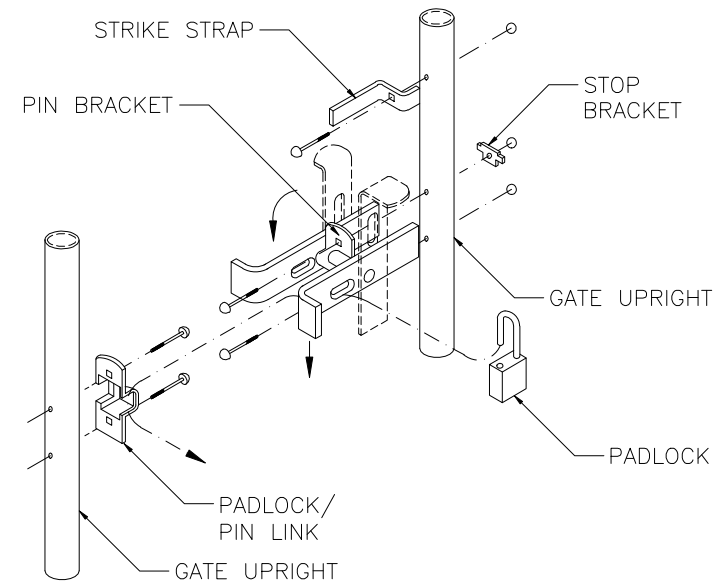
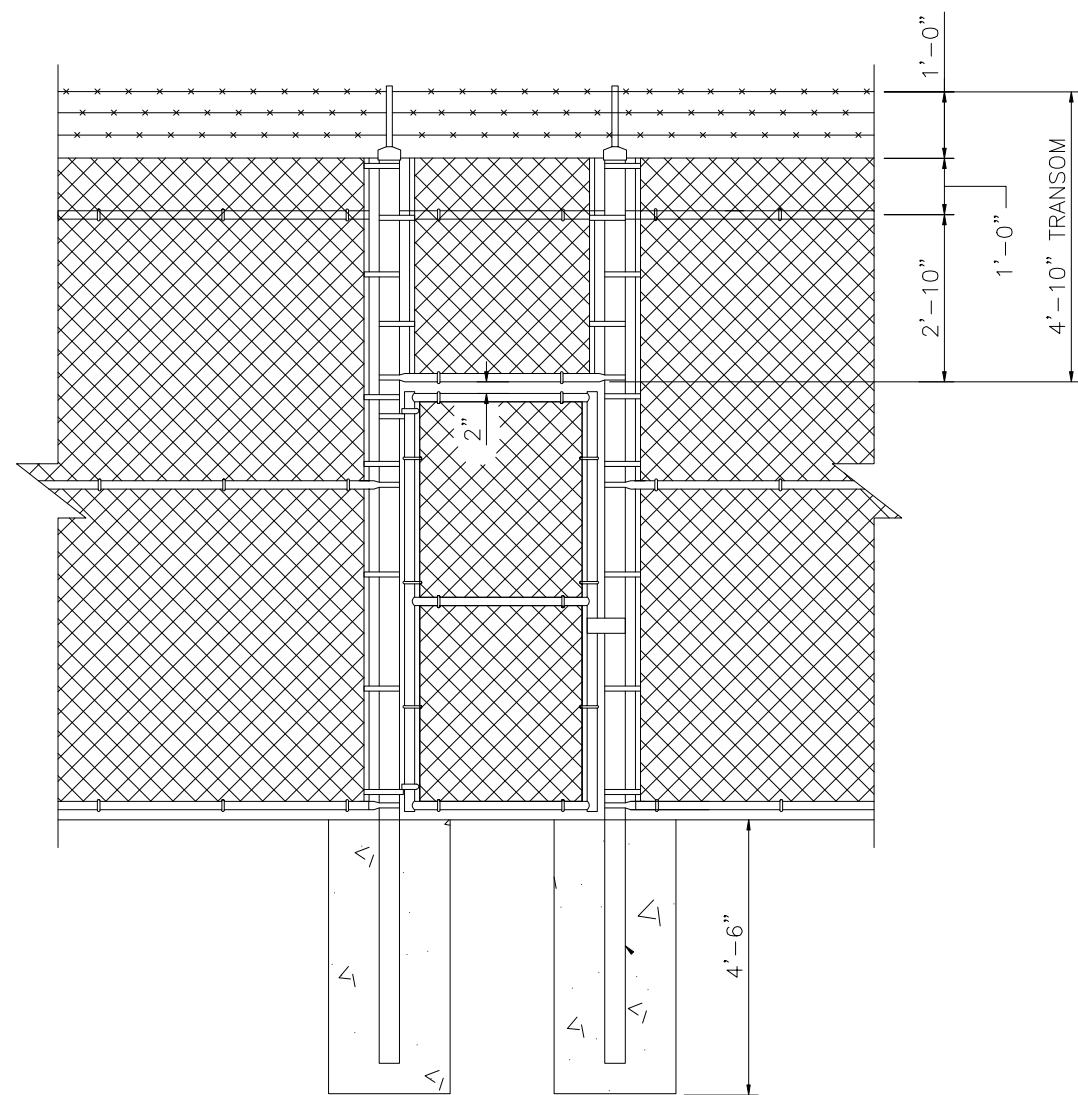


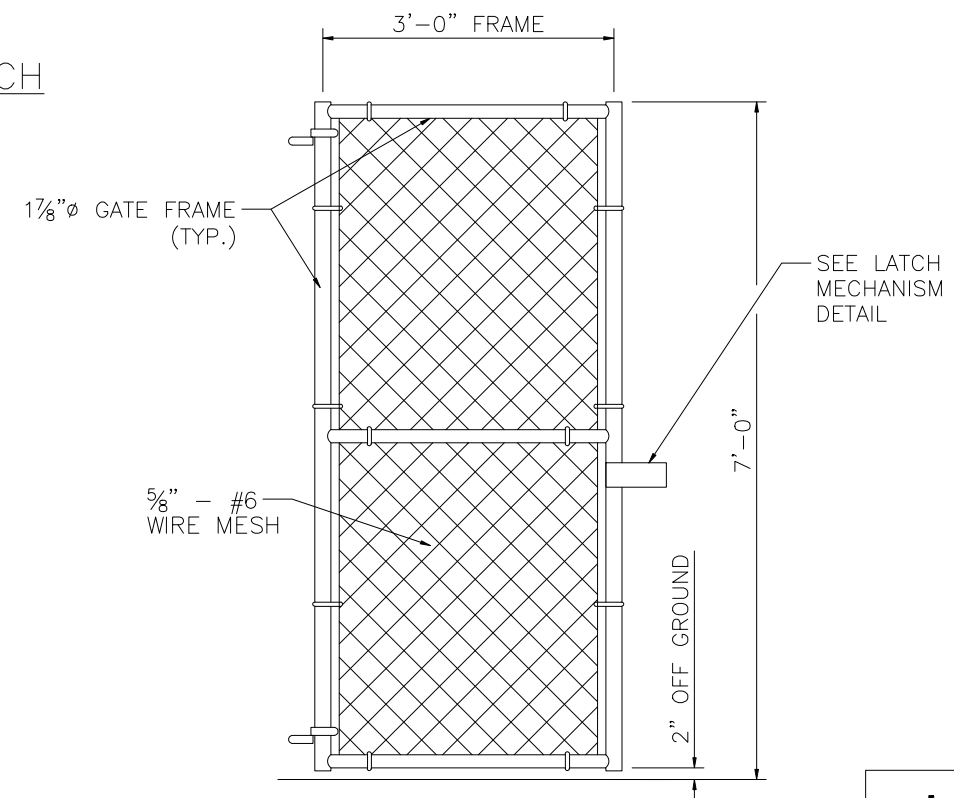
2 GATE PLAN
SCALE: NTS



4 FULCRUM LATCH
SCALE: NTS




1 TYPICAL MAN GATE ELEVATION
SCALE: NTS



3 GATE ELEVATION
SCALE: NTS

Industrial Fence, Inc.
 1300 S. Kilbourn Ave.
 Chicago, IL 60623



PROJECT NAME
DRAWING TITLE IFI-6 Man gate
JOB NUMBER
DATE
MEASURED BY
DRAWN BY
SCALE