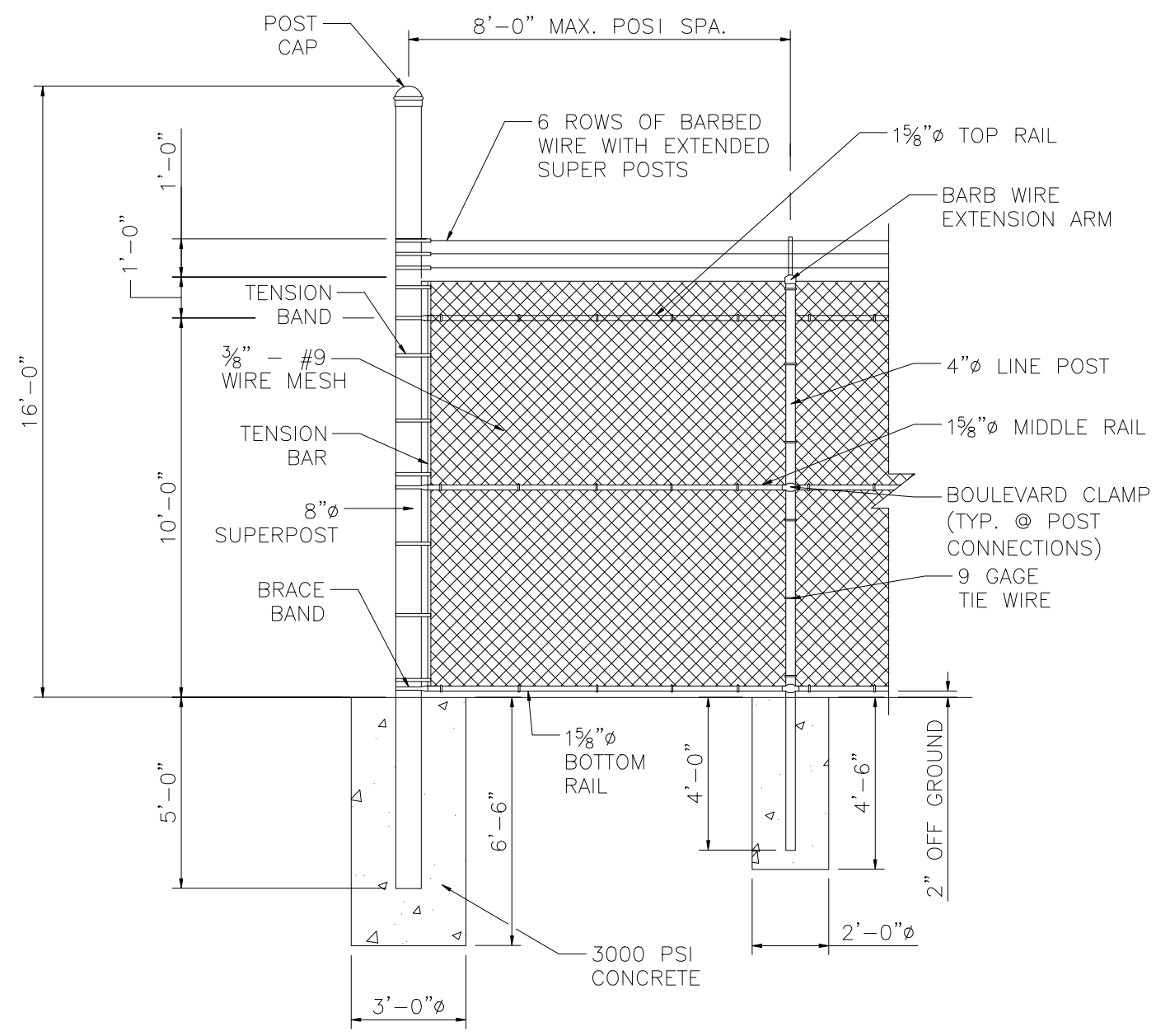


3 SECTION
SCALE: NTS



1 TYPICAL ELEVATION
SCALE: NTS

IFI-9 9 gauge 3/8" chainlink