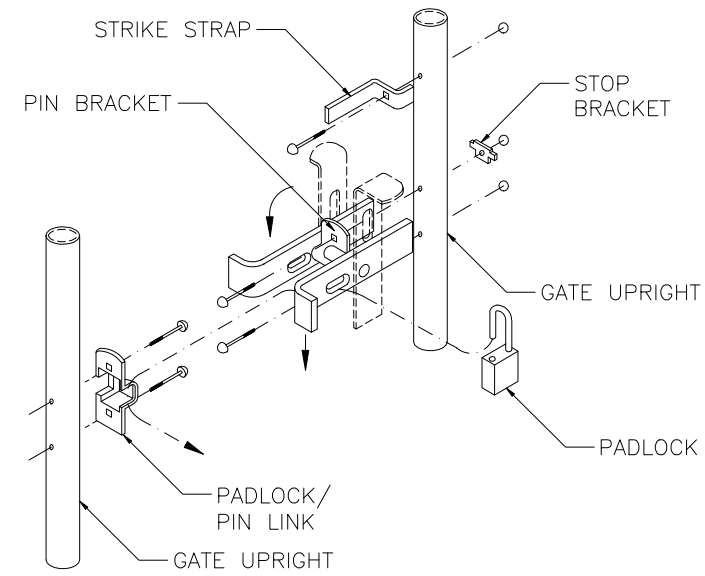
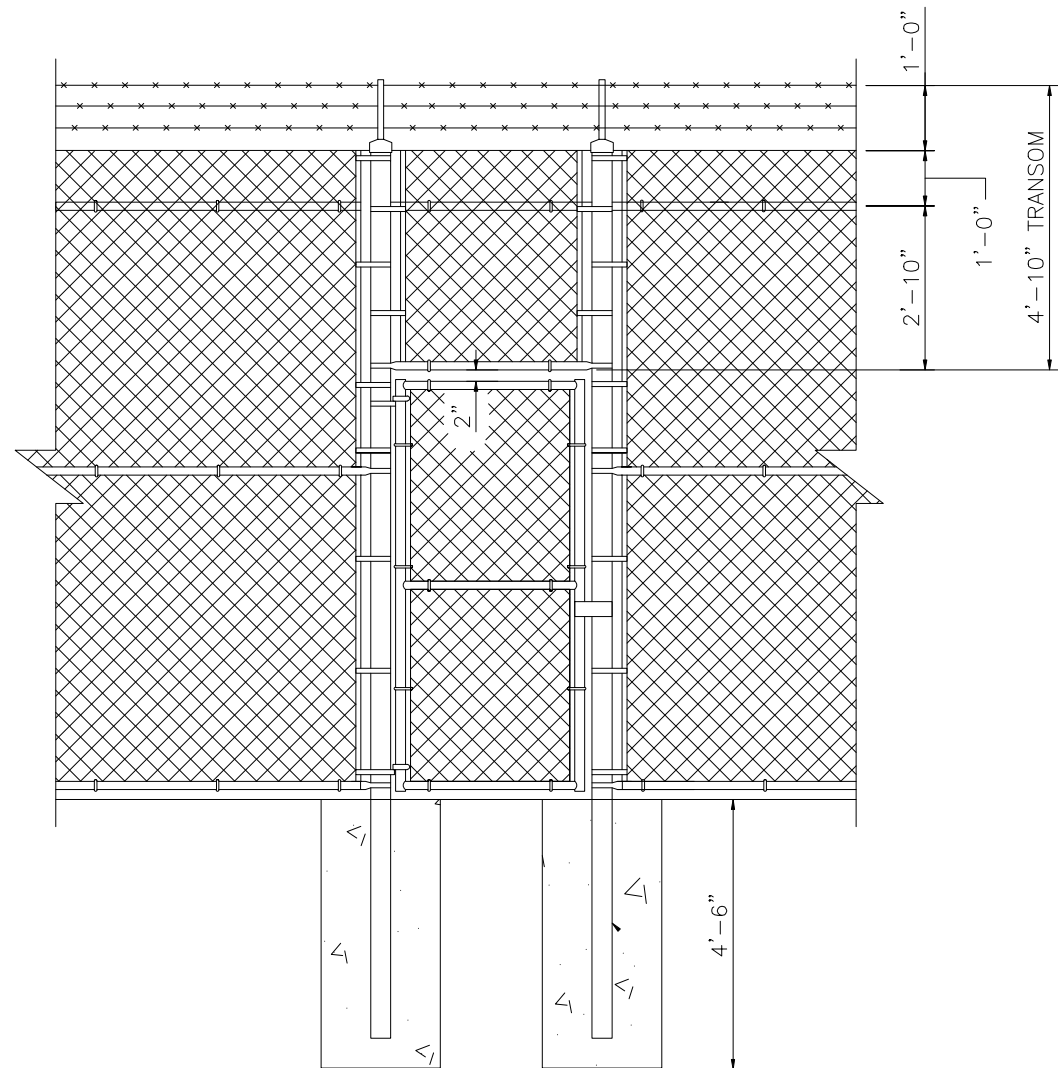


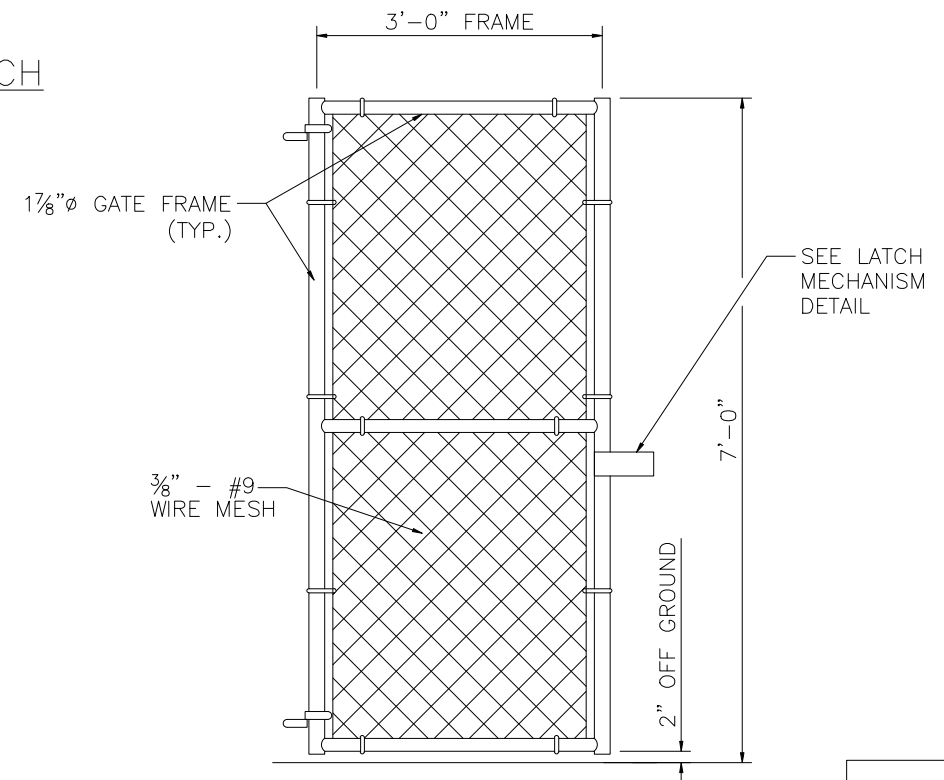
2 GATE PLAN  
SCALE: NTS



4 FULCRUM LATCH  
SCALE: NTS



1 TYPICAL MAN GATE ELEVATION  
SCALE: NTS



3 GATE ELEVATION  
SCALE: NTS

**Industrial Fence, Inc.**  
 1300 S. Kilbourn Ave.  
 Chicago, IL 60623



PROJECT NAME
DRAWING TITLE <b>IFI-9 Man gate</b>
JOB NUMBER
DATE
MEASURED BY
DRAWN BY
SCALE