

SLIP JOINT

PRODUCT NUMBER	DIMENSION DESCRIPTION	PIECES PER BOX
500-38	SLIP JOINT REVEAL ADJUST FROM 1 1/8" TO 1 5/8"	15
500-50		15
500-58		15
500-75		15
500-78		15

10' LENGTHS

PRODUCT NUMBER	DIMENSION DESCRIPTION	PIECES PER BOX
501-50	SLIP JOINT REVEAL ADJUST FROM 5/8" TO 1 1/8"	20
501-58		20
501-75		20
501-78		15

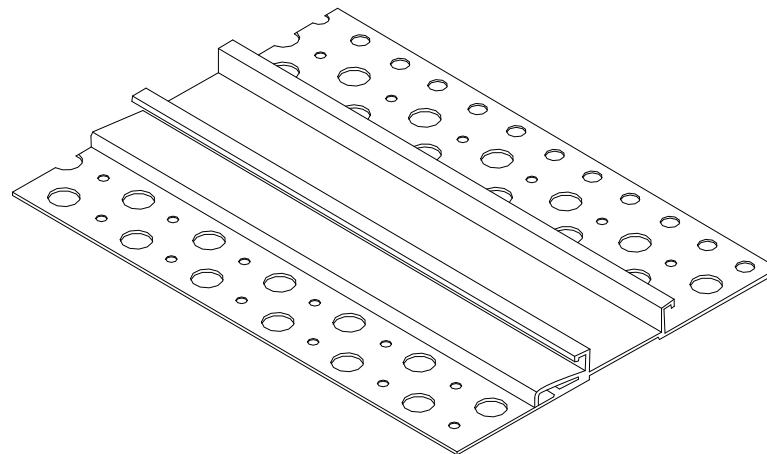
10' LENGTHS

APPLICATION:

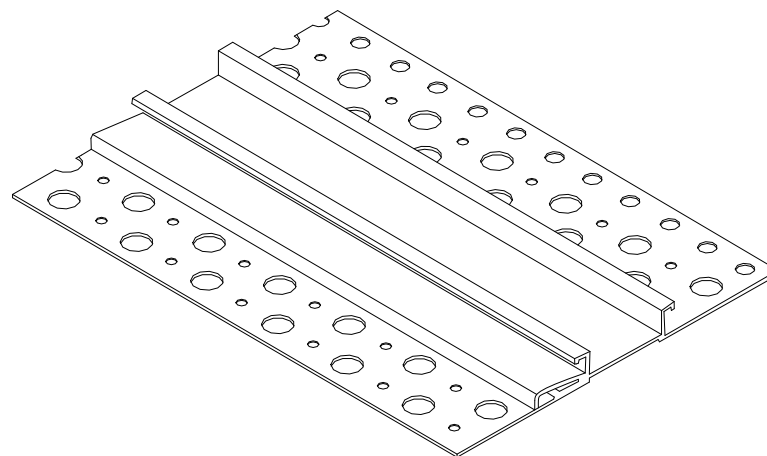
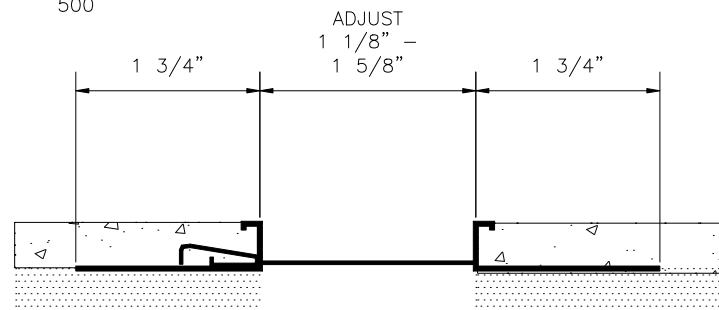
USED AS AN EXPANSION JOINT WHILE PROVIDING A REVEAL. DESIGNED TO EXPAND AND CONTRACT WHEN SEVERE MOVEMENT IS ANTICIPATED. WHEN USED IN A VERTICAL APPLICATION, THE LATH SHOULD BE SPLIT BEFORE INSTALLING THE SLIP JOINT. WHEN USED IN A HORIZONTAL PLANE, THE SAME PROCEDURE SHOULD BE USED BEFORE PLACING THE FEMALE SIDE TO TOP.

SPECIFICATION:

SLIP JOINT SHALL BE PLASTIC COMPONENTS, INC. # _____ . ALL EXTERIOR ACCESSORIES SHALL BE OF PVC MATERIAL CONFORMING TO ASTM STANDARDS D1784-97 AND C1063-99 AND D4216-99. THEY SHALL BE USED WHERE SPECIFIED BY THE ARCHITECT AND INSTALLED PER INDUSTRY STANDARDS.



500



501

