

CONTINUOUS SOFFIT VENT

PRODUCT NUMBER		DIMENSION	
		A	PIECES PER BOX
548-38	2 5/8" WIDE VENTED AREA. USE WITH ANY SHEATHING PRODUCT. 14 SQ. IN. OF FREE AIR FLOW PER LINEAR FT.	3/8"	13
548-50		1/2"	13
548-58		5/8"	13
548-75		3/4"	13
3548-50	3" WIDE VENTED AREA. USE WITH ANY SHEATHING PRODUCT. 15 SQ. IN. OF FREE AIR FLOW PER LINEAR FT.	1/2"	13
3548-58		5/8"	13
4548-50	4" WIDE VENTED AREA. USE WITH ANY SHEATHING PRODUCT. 16 SQ. IN. OF FREE AIR FLOW PER LINEAR FT.	1/2"	13
4548-58		5/8"	13
6548-50	6" WIDE VENTED AREA. USE WITH ANY SHEATHING PRODUCT. 18 SQ. IN. OF FREE AIR FLOW PER LINEAR FT.	1/2"	10
6548-58		5/8"	10

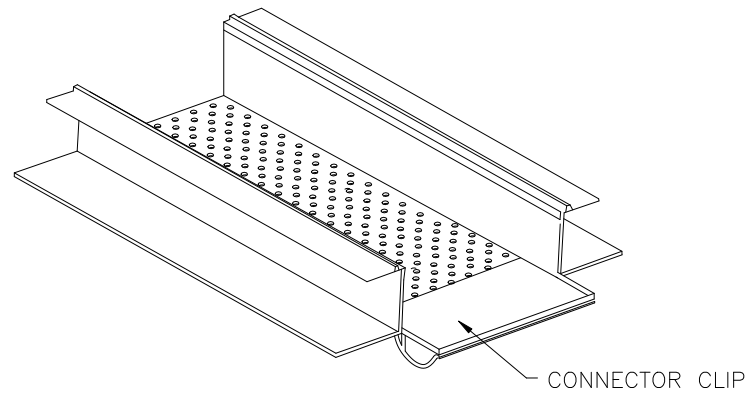
10' LENGTHS, CONNECTOR CLIPS INCLUDED

APPLICATION:

DESIGNED SPECIFICALLY FOR SHEATHING PRODUCTS. HAS A BUILT IN STOP (1/8") TO ASSURE PROPER BASE AND FINISH THICKNESS AS WELL AS MAINTAINING A CLEAN FINISH EDGE. THE STOP FLANGE IS SERRATED FOR POSITIVE MATERIAL BOND. AVAILABLE IN THREE WIDTHS. WILL NOT RUST, EXCELLENT PAINT ADHESION. CONNECTOR CLIPS ARE PROVIDED TO ELIMINATE SAGGING AT BUTT JOINTS.

SPECIFICATION:

SOFFIT VENT SHALL BE PLASTIC COMPONENTS, INC. # _____ . ALL EXTERIOR ACCESSORIES SHALL CONFORM TO ASTM STANDARDS D1784-97 AND C1063-99 AND D4216-99. THEY SHALL BE USED WHERE SPECIFIED BY THE ARCHITECT AND INSTALLED PER INDUSTRY STANDARDS AND MANUFACTURER'S INSTRUCTIONS.



NOTE: STRIATIONS ON EXPOSED FLANGES

