

WIDE FLANGE CASING BEAD

PRODUCT NUMBER	GROUND	DIMENSION DESCRIPTION	PIECES PER BOX
1025	1/4"	WIDE FLANGE CASING BEAD, 1 3/4" PERFORATED FLANGE.	75
1038	3/8"		75
1050	1/2"		75
1058	5/8"		75
1075	3/4"		75
1078	7/8"		75

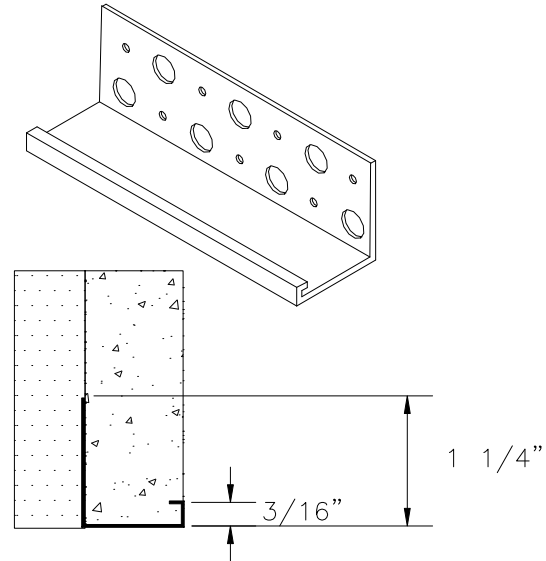
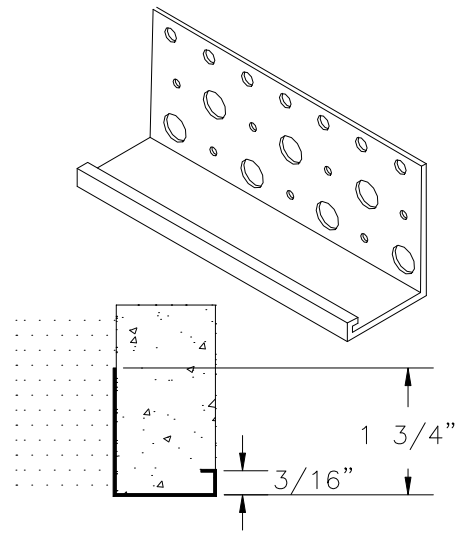
10' LENGTHS

APPLICATION:

TO BE USED AT AREAS WHERE STUCCO TERMINATES AT FOUNDATIONS, WINDOWS, DOORS OR ANY OTHER TERMINATION POINT. WILL NOT RUST OR DENT.

SPECIFICATION:

WIDE FLANGE CASING BEAD SHALL BE PLASTIC COMPONENTS, INC. # _____. ALL EXTERIOR ACCESSORIES SHALL BE OF PVC MATERIAL CONFORMING TO ASTM STANDARDS D1784-97 AND C1063-97 AND D4216-99. THEY SHALL BE USED WHERE SPECIFIED BY THE ARCHITECT AND INSTALLED PER INDUSTRY STANDARDS AND MANUFACTURER'S INSTRUCTIONS.



NARROW FLANGE CASING BEAD

PRODUCT NUMBER	GROUND	DIMENSION DESCRIPTION	PIECES PER BOX
1038X	3/8"	NARROW FLANGE CASING BEAD, 1 1/4" PERFORATED FLANGE.	75
1050X	1/2"		75
1075X	3/4"		75
1078X	7/8"		75

10' LENGTHS

APPLICATION:

TO BE USED AROUND OPENINGS OR WHERE STUCCO TERMINATES AT A DISSIMILAR SURFACE. ALLOWS STUCCO TO MAINTAIN A STRAIGHT LINE.

SPECIFICATION:

CASING BEAD SHALL BE PLASTIC COMPONENTS, INC. # _____. ALL EXTERIOR ACCESSORIES SHALL BE OF PVC MATERIAL CONFORMING TO ASTM STANDARDS D1784-97 AND C1063-99 AND D4216-99. THEY SHALL BE USED WHERE SPECIFIED BY THE ARCHITECT AND INSTALLED PER INDUSTRY STANDARDS AND MANUFACTURER'S INSTRUCTIONS.