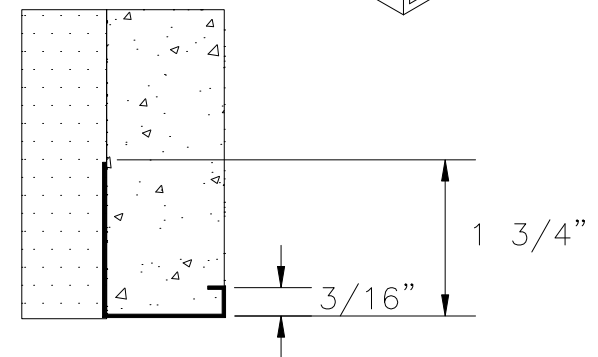
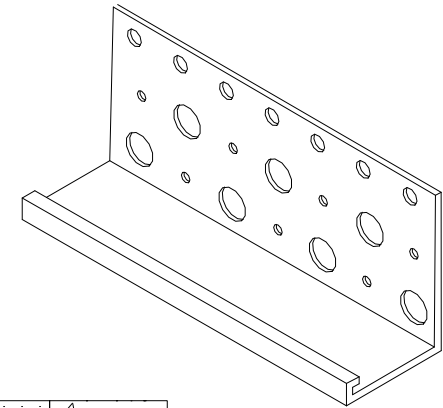
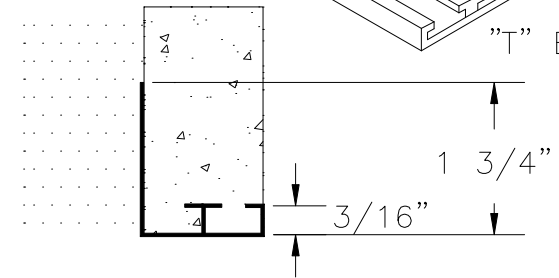
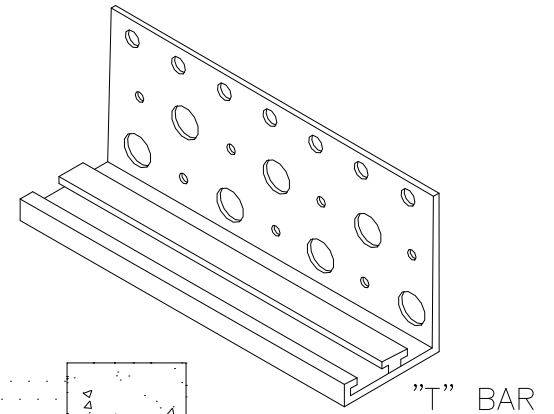


"T" BAR CASING BEAD

PRODUCT NUMBER	GROUND	DIMENSION DESCRIPTION	PIECES PER BOX
1100T	1"	T BAR CASING BEAD, 1 3/4" WIDE PERFORATED FLANGE. DESIGNED FOR EXTRA STRENGTH.	50
1125T	1 1/4"		50
1150T	1 1/2"		50
1200T	2"		40

APPLICATION: 10' LENGTHS
 TO BE USED IN ANY AREA WHERE A BANDING/POP OUT OR "ICON" DETAIL IS DESIRED. "T" BAR DESIGN ADDS STRENGTH AND WILL REDUCE THE "WAVING" WITH THE EXTRA THICKNESS OF THE STUCCO.

SPECIFICATION:
 "T" BAR CASING BEAD SHALL BE PLASTIC COMPONENTS, INC. # _____ . ALL EXTERIOR ACCESSORIES SHALL BE OF PVC MATERIAL CONFORMING TO ASTM STANDARDS D1784-97 AND C1063-99 AND D4216-99. THEY SHALL BE USED WHERE SPECIFIED BY THE ARCHITECT AND INSTALLED PER INDUSTRY STANDARDS AND MANUFACTURER'S INSTRUCTIONS.



"O" CASING BEAD

PRODUCT NUMBER	GROUND	DIMENSION DESCRIPTION	PIECES PER BOX
1100-0	1"	"O" CASING BEAD, 1 3/4" WIDE PERFORATED FLANGE.	50
1125-0	1 1/4"		50
1150-0	1 1/2"		50
1200-0	2"		40

ADD SUFFIX "WP" TO ORDER WITH WEEP HOLES.
 EXAMPLE: 1100-OWP 10' LENGTHS