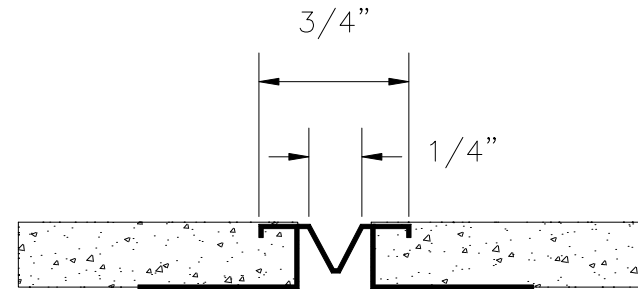
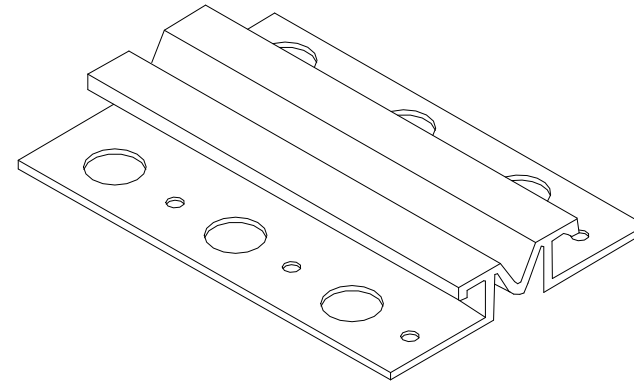


## "M" CONTROL JOINT

PRODUCT NUMBER	GROUND	DIMENSION DESCRIPTION	PIECES PER BOX
2025	1/4"	"M" CONTROL JOINT, WITH REMOVABLE TAPE PERFORATED FLANGES.	50
2138XS	3/8"		50
2150X	1/2"		40
2158X	5/8"		40
2175X	3/4"		30
2178X	7/8"		30



### APPLICATION:

THIS "M" DESIGN IS POPULAR AS IT NOT ONLY PROVIDES CONTROL OF SUBSTRATE MOVEMENT BUT ALSO GIVES THE APPEARANCE OF A NARROW REVEAL. REMOVABLE TAPE KEEPS THE "V" CLEAN DURING INSTALLATION.

### SPECIFICATION:

CONTROL JOINT SHALL BE PLASTIC COMPONENTS, INC. # \_\_\_\_\_. ALL EXTERIOR ACCESSORIES SHALL BE OF PVC MATERIAL CONFORMING TO ASTM STANDARDS D1784-97 AND C1063-99 AND D4216-99. THEY SHALL BE USED WHERE SPECIFIED BY THE ARCHITECT AND INSTALLED PER INDUSTRY STANDARDS AND MANUFACTURER'S INSTRUCTIONS.

10' LENGTHS