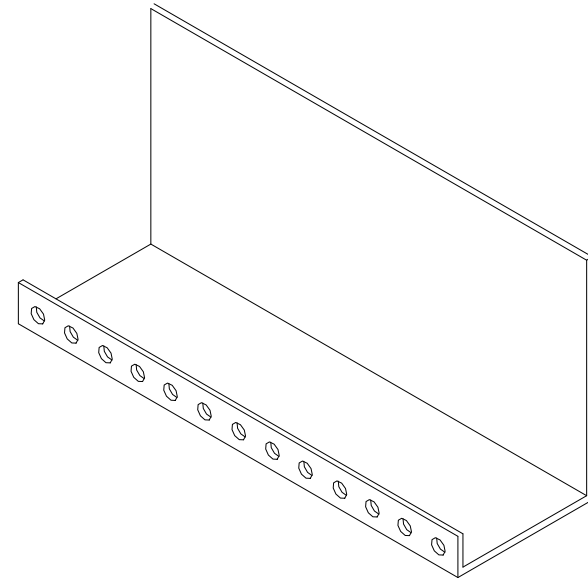


CB CASING BEAD

PRODUCT NUMBER	DIMENSION A	PIECES PER BOX
CB-50-16	1/2"	60
CB-58-16	5/8"	60
CB-75-16	3/4"	40
CB-1-16	1"	40
CB-15-16	1 1/2"	40
CB-2-16	2"	30



ADD SUFFIX "SP" TO ORDER WITH WEEP HOLES.

EXAMPLE: CBWP-15-16 10' LENGTHS

APPLICATION:

ACTS AS A CASING BEAD FOR THE EPS BOARD. CAN BE USED AROUND WINDOWS OR DOORS. PROVIDES A CLEAN STRAIGHT LINE. PVC SURFACE ALLOWS CAULKING TO ADHERE. FLANGE PERFORATIONS ALLOW GROUND COAT TO BOND WITH THE EPS BOARD. EXCELLENT PAINT ADHESION.

SPECIFICATION:

CASING BEAD SHALL BE PLASTIC COMPONENTS, INC. # _____. ALL EXTERIOR ACCESSORIES SHALL CONFORM TO ASTM STANDARDS D1784-92 AND C1063-94. THEY SHALL BE USED WHERE SPECIFIED BY THE ARCHITECT AND INSTALLED PER INDUSTRY STANDARDS AND MANUFACTURER'S INSTRUCTIONS.

