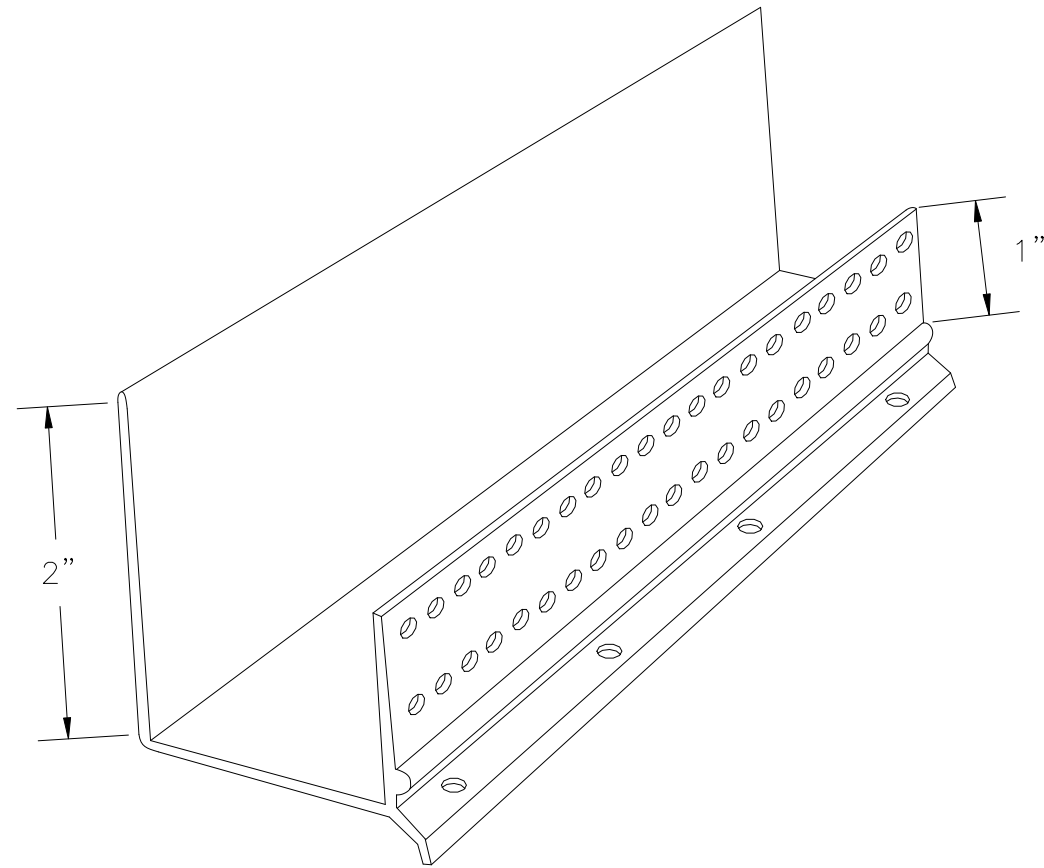


I DRIP TRAC

PRODUCT NUMBER	PIECES PER BOX
IDT-50	35
IDT-58	35

10' (3M) LENGTHS –
PATENT PENDING



APPLICATION:

IDRIP TRAC IS A ONE PIECE POSITIVE FLOW COMBINATION STARTER TRAC WITH BUILT-IN FLASHING DRIP EDGE. WEEP HOLES, SET AT 4" ON CENTER, ARE LOCATED AT THE FRONT OF THE TRAC TO CARRY MOISTURE AWAY FROM THE BUILDING. USES: ABOVE WINDOWS, DOORS; AS A STARTER TRAC.

RETURN FACE FLANGE IS A 1" WIDE WITH STRIATIONS WHICH PROVIDE A STRONG PHYSICAL BOND FOR THE BASE COAT TO THE RETURN FLANGE. A DOUBLE ROW OF HOLES ALLOWS FOR POSITIVE BOND OF THE BASE TO THE SUBSTRATE.

SPECIFICATION:

WINDOW/DOOR DRIP TRAC SHALL BE PLASTIC COMPONENTS, INC. #_____. ALL EXTERIOR ACCESSORIES SHALL CONFORM TO ASTM STANDARDS D1784-97, C1063-99, AND D4216-99. THEY SHALL BE USED WHERE SPECIFIED BY THE ARCHITECT AND INSTALLED PER INDUSTRY STANDARDS.