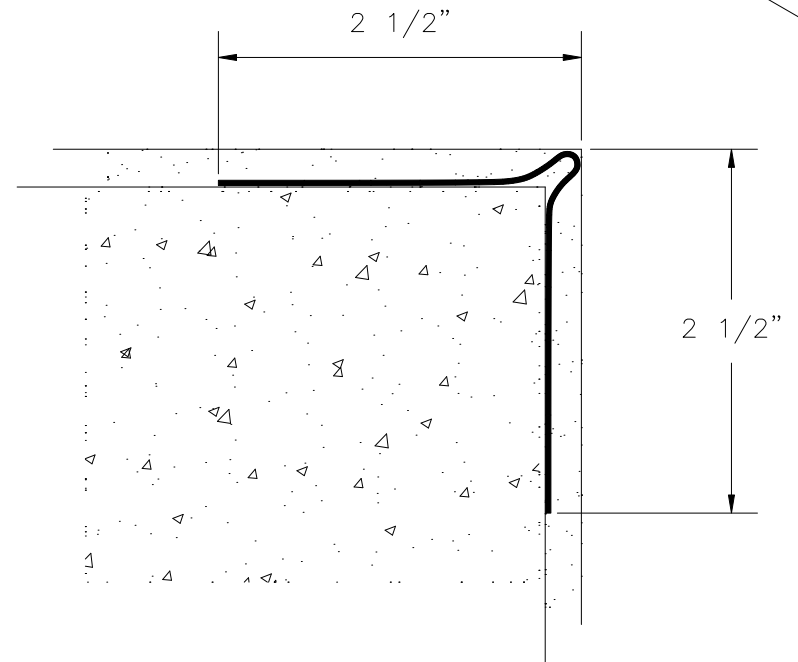
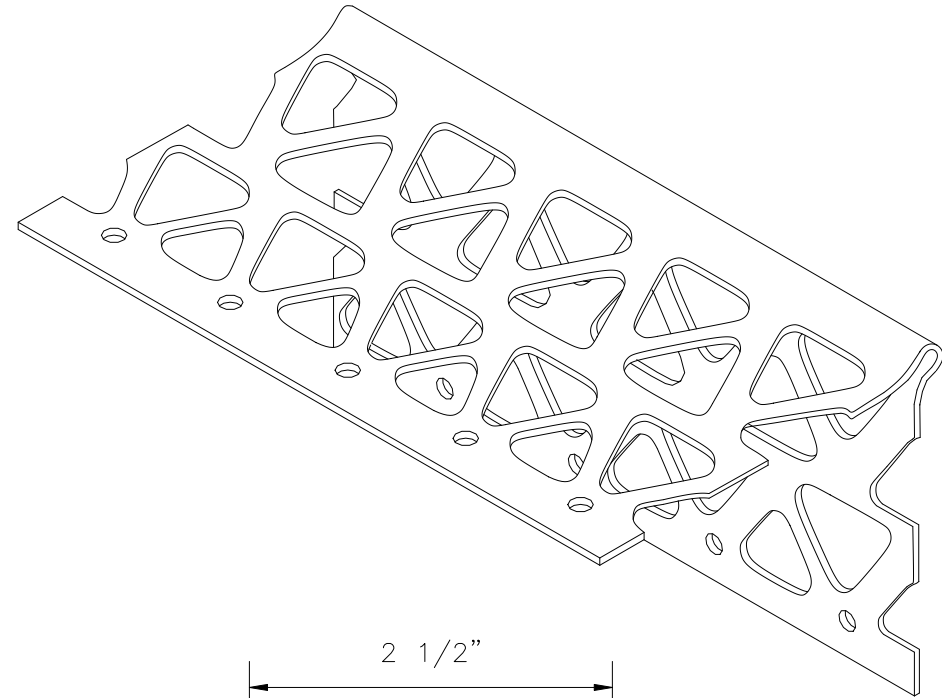


CORNER BEAD

PRODUCT NUMBER	DIMENSIONS/DESCRIPTIONS	PIECES PER BOX
4	2-1/2" X 2-1/2" FLANGE (64 MM X 64 MM)	50

8' & 10' (2.5 & 3 M) LENGTHS



APPLICATION: 4
ELIMINATES COSTLY RASPING AND DOUBLE WRAPPING OF CORNERS.
THE NOSE ALLOWS FOR STRAIGHT CORNERS AND PROPER DEPTH OF FINISH. HIGH IMPACT RESISTANT.

SPECIFICATION:
CORNER BEAD SHALL BE PLASTIC COMPONENTS, INC. #4. ALL EXTERIOR ACCESSORIES SHALL CONFORM TO ASTM STANDARDS D1784-97, C1063-99. THEY SHALL BE USED WHERE SPECIFIED BY THE ARCHITECT AND INSTALLED PER INDUSTRY STANDARDS.