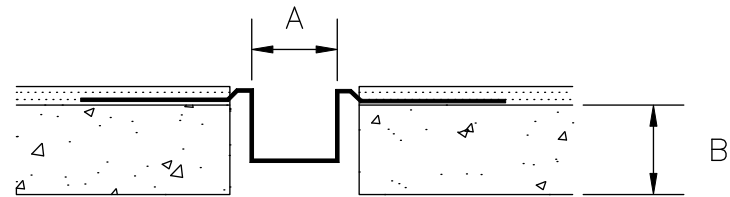
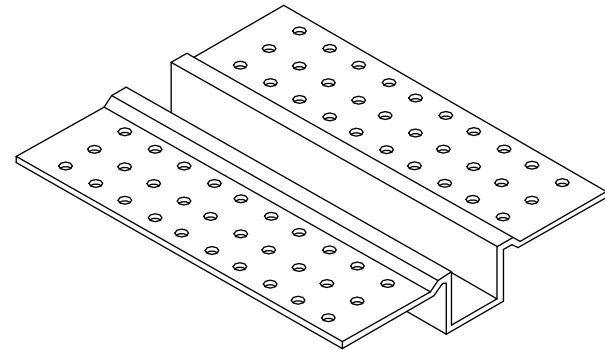


## DRYWALL REVEAL

PRODUCT NUMBER	DIMENSION A	DIMENSION B	PIECES PER BOX
225	1/2"	1/2" MIN.	30
226	1"	1/2" MIN.	35
227	3/4"	1/2" MIN.	35
228	3/8"	1/2" MIN.	30
229	5/8"	1/2" MIN.	35
235	1-1/2"	1/2" MIN.	30
236	2"	1/2" MIN.	30
237	3"	NO HOLES IN FLANGE	20

10' LENGTHS



**APPLICATION:** DRYWALL REVEAL  
 PERFORATED FLANGES ARE PLACED ON TOP OF SEPARATED SHEETS OF SHEATHING BOARD WITH "U" CHANNEL PLACED IN SEPARATED CHANNEL. HAS BUILT IN STOPS TO ASSURE PROPER THICKNESS OF BASE AND FINISH.

**SPECIFICATION:**

DRYWALL REVEAL SHALL BE PLASTIC COMPONENTS, INC. # \_\_\_\_\_. ALL DRYWALL ACCESSORIES SHALL CONFORM TO ASTM STANDARDS D3678-97 AND C1047-99 AND D4216-99. FINISH COMPATIBLE WITH DRYWALL MUD AND ALL PAINT FINISHES. THEY SHALL BE USED WHERE SPECIFIED BY THE ARCHITECT AND INSTALLED PER INDUSTRY STANDARDS AND MANUFACTURER'S INSTRUCTIONS.