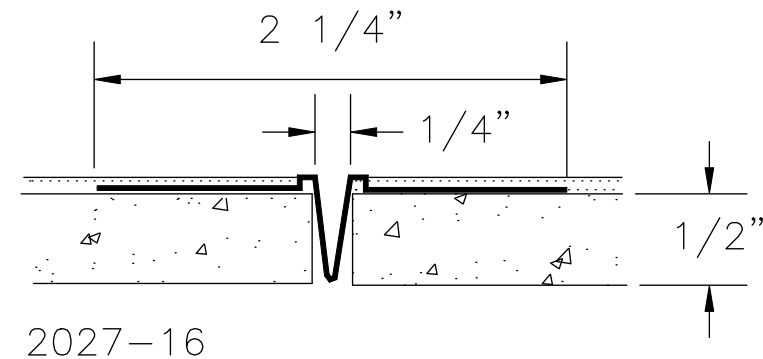
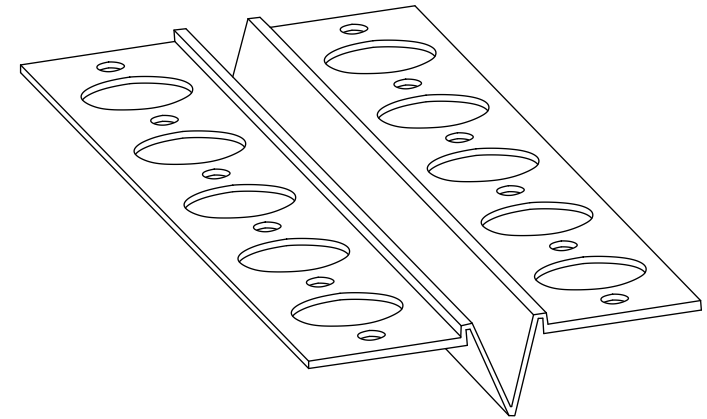


CONTROL JOINT

PRODUCT NUMBER	PIECES PER BOX
2027-16	60



APPLICATION:

USED IN WALL OR CEILING APPLICATIONS. DESIGNED TO PROVIDE RELIEF OR STRESS IN LARGE AREAS. REMOVABLE TAPE PROTECTS THE 1/2" DEEP V DURING INSTALLATION. HAS BUILT IN 1/16" STOP TO ASSURE PROPER FINISH THICKNESS.

SPECIFICATION:

DRYWALL CONTROL JOINT SHALL BE PLASTIC COMPONENTS, INC. # 2027-16. ALL DRYWALL ACCESSORIES SHALL CONFORM TO ASTM STANDARDS D3678-97 AND C1047-99. ALL PRODUCTS SHALL BE THIRD PARTY TESTED TO MEET ASTM STANDARD D4216-99 AND BE CANADIAN CODE COMPLIANT. FINISH COMPATIBLE WITH DRYWALL MUD AND ALL PAINT FINISHES. THEY SHALL BE USED WHERE SPECIFIED BY THE ARCHITECT AND INSTALLED PER INDUSTRY STANDARDS AND MANUFACTURER'S INSTRUCTIONS.