

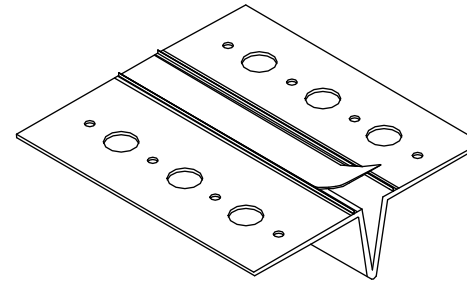
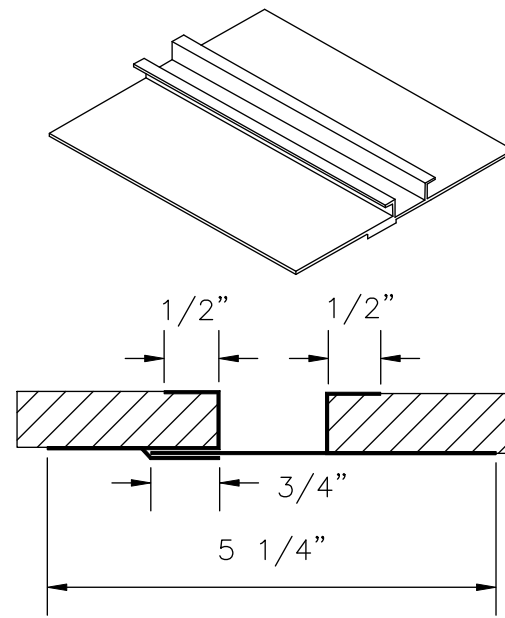
SHEATHING SLIP JOINT

PRODUCT NUMBER	DIMENSIONS/DESCRIPTIONS	PIECES PER BOX
DW500-50	SLIP JOINT. CAN BE USED WITH ANY SHEATHING PRODUCT. OPENS FROM 1 1/4" TO 1 3/4"	15
DW500-58		15

10' LENGTHS

APPLICATION: 207-50 & 207-58
 USED FOR TERMINATION WHEN A WINDOW OR DOOR CASING TRIM IS ELIMINATED. CAN ALSO BE USED WHERE EXTRA LAYERS OF DRYWALL ARE BEING USED FOR DECORATIVE PURPOSES. TRIM IS TO BE INSTALLED AFTER INSTALLATION OF BOARD.

SPECIFICATION:
 HALF ROUND BULLNOSE SHALL BE PLASTIC COMPONENTS, INC. # _____. ALL DRYWALL ACCESSORIES SHALL CONFORM TO ASTM STANDARDS D3678-97 AND C1047-99 AND D4216-99. FINISH COMPATIBLE WITH DRYWALL MUD AND ALL PAINT FINISHES. THEY SHALL BE USED WHERE SPECIFIED BY THE ARCHITECT AND INSTALLED PER INDUSTRY STANDARDS AND MANUFACTURER'S INSTRUCTIONS.

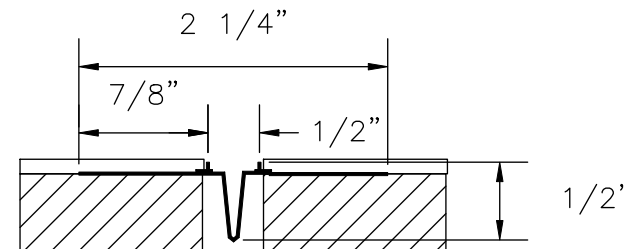


CONTROL JOINT

PRODUCT NUMBER	DIMENSIONS/DESCRIPTIONS	PIECES PER BOX
PL093	INVERTED 1/2" EXPANSION JOINT. 1/16" FINISH TOP	60

10' LENGTHS

APPLICATION: PL093
 A TWO PIECE SLIP JOINT FOR SHEATHING PRODUCTS. DESIGNED FOR AREAS WHERE UNUSUAL MOVEMENT IS ANTICIPATED. PART MUST BE INSTALLED BEFORE DRYWALL IS FIRMLY ATTACHED. MAY BE INSTALLED IN EITHER A VERTICAL OR HORIZONTAL APPLICATION.



SPECIFICATION:
 SHEATHING SLIP JOINT SHALL BE PLASTIC COMPONENTS, INC. # _____. ALL DRYWALL ACCESSORIES SHALL CONFORM TO ASTM STANDARDS D3678-97 AND C1047-99 AND D4216-99. FINISH COMPATIBLE WITH DRYWALL MUD AND ALL PAINT FINISHES. THEY SHALL BE USED WHERE SPECIFIED BY THE ARCHITECT AND INSTALLED PER INDUSTRY STANDARDS AND MANUFACTURER'S INSTRUCTIONS.