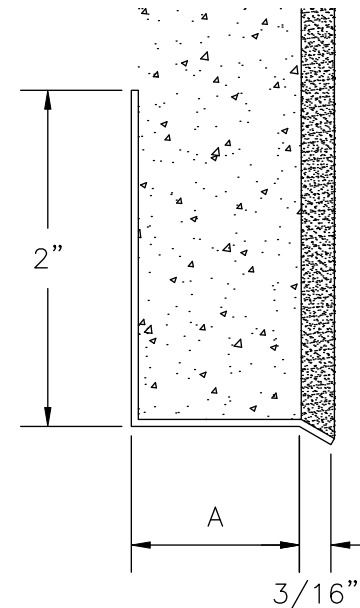
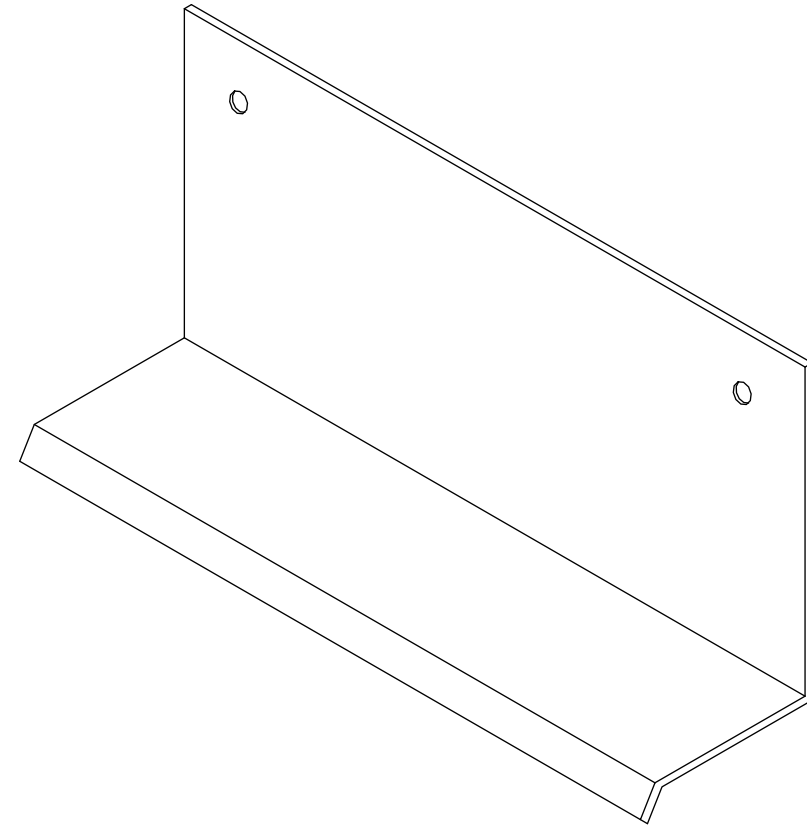


WINDOW/DOOR DRIP EDGE

PRODUCT NUMBER	DESCRIPTION	DIMENSION A	PIECES PER BOX
SB-50	Window or door drip edge for 3/16" (5mm) finishes.	1/2" (13mm)	100
SB-58		5/8" (16mm)	100
SB-75		3/4" (19mm)	100
SB-1		1" (25mm)	75
SB-15		1-1/2" (38mm)	60
SB-2		2" (51mm)	50
SB-25		2-1/2" (64mm)	30
SB-3		3" (76mm)	30
SB-4		4" (102mm)	25
SB-1-25X	For 1/4" (6mm) finishes		70

10' (3m) Lengths



APPLICATION:
 WINDOW OR DOOR DRIP EDGE. SLOPED FRONT EDGE ALLOWS MOISTURE TO SHED DOWN SURFACE AND NOT ENTER INTO THE FRAMING.

SPECIFICATION:
 WINDOW/DOOR DRIP EDGE WILL BE PLASTIC COMPONENTS INC.
 #_____. ALL EXTERIOR ACCESSORIES SHALL CONFORM TO ASTM STANDARDS D1784, C1063 AND D4216. ALL PRODUCTS SHALL BE THIRD PARTY TESTED TO MEET ASTM STANDARD D4216 AND BE CANADIAN CODE COMPLIANT. THEY SHALL BE USED WHERE SPECIFIED BY THE ARCHITECT AND INSTALLED PER INDUSTRY STANDARDS.