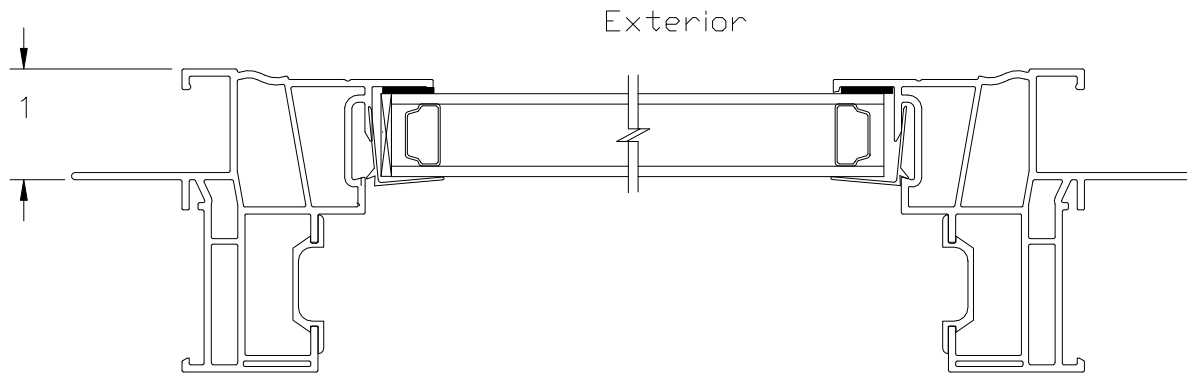
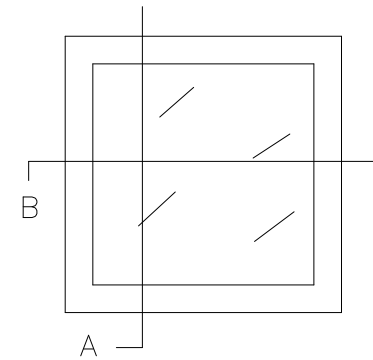


SECTION A



SECTION B

UNLESS OTHERWISE SPECIFIED,  
STANDARD EXTRUSION TOLERANCES APPLY.

P.I.P. CAVITY AREA	TYPE
UNSP. WALL THICKNESS	WEIGHT/FT.
BREAK SHARP CRNS. ©	ALLOY

MATERIAL	PERIMETER
	AREA

TITLE Series 1101



PLY GEM WINDOWS  
615 CARSON STEET  
BRYAN, TEXAS 77801  
PH. (979) 779-7770  
FAX (979) 823-1547

SHEET	DATE 9/28/04	SCALE 1/2 Full	PART# 1101xc
	DRAWN BY MWK	APPROVED BY	MISC.

REV	DESCRIPTION	DATE	REV BY
FILE LOCATION			