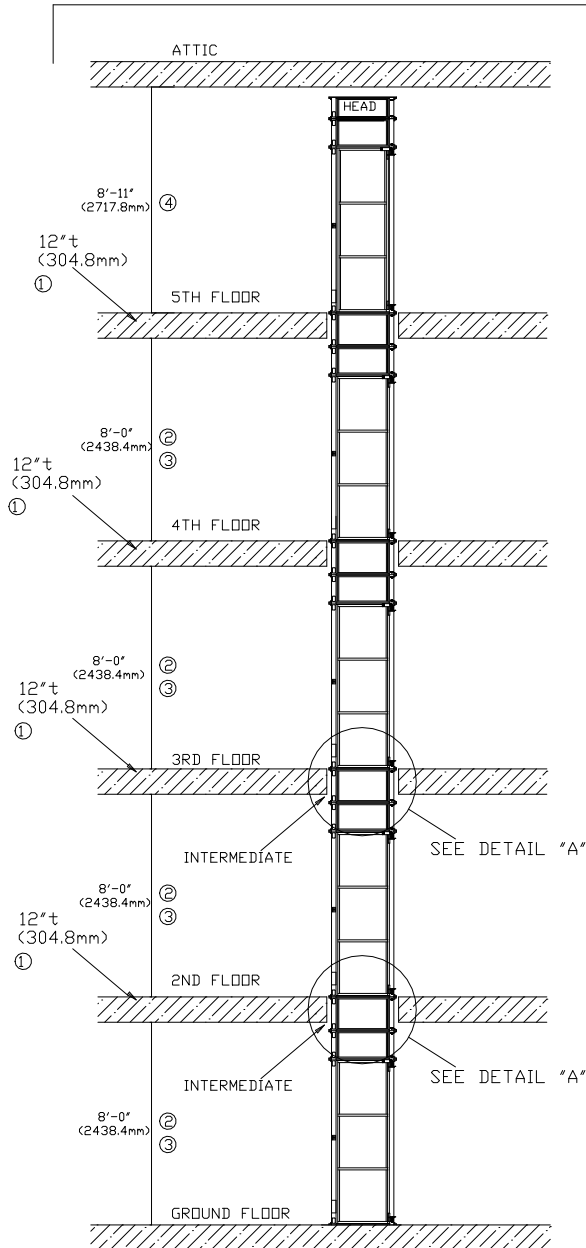


TYPICAL SETUP

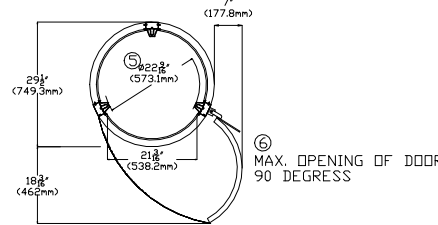


NOTE:

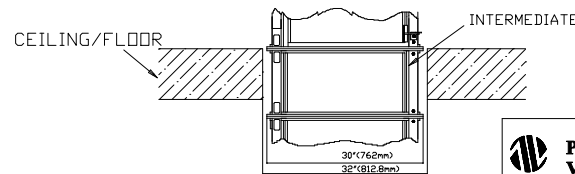
- ① INTERMEDIATE CYLINDER IS CUSTOM MADE AS FLOOR THICKNESS MAY VARY FROM HOME TO HOME.
- ② INTERMEDIATE CYLINDER IS CUSTOM MADE AS ROOM HEIGHT MAY VARY FROM HOME TO HOME.
- ③ MINIMUM ALLOWABLE HEIGHT IS 7'-9" (2362.2mm)
- ④ MINIMUM ALLOWABLE HEIGHT AS SHOWN FOR THIS TYPE OF INSTALLATION
- ⑤ INTERNAL DIAMETER OF CABIN WITHOUT THE COLUMNS IS 25 3/4" (654.1mm) AND THE INTERNAL CABIN HEIGHT IS 6'-5" (1.956M)
- ⑥ DOOR WIDTH IS 26 3/4" (679.5mm)
- ⑦ MAX. ELEVATOR HEIGHT IS 49' (15M)

Information contain herein is the property of Pneumatic Vacuum Elevators LLC. No reproduction or disclosure of this information may be made by the recipient to any person or organization without the written consent of Pneumatic Vacuum Elevators LLC.

VIEW "A-A" SCALE 2:1



DETAIL "A" (TYPICAL OF FLOOR PENETRATION)



OPTION: REMOTE LOCATION OF HEAD UNIT

