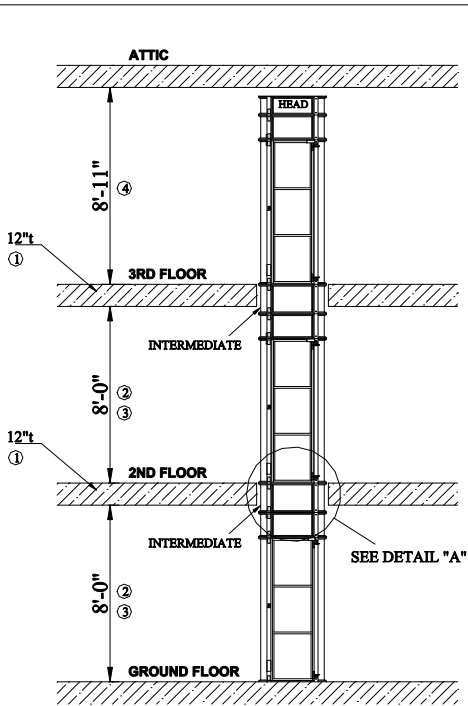
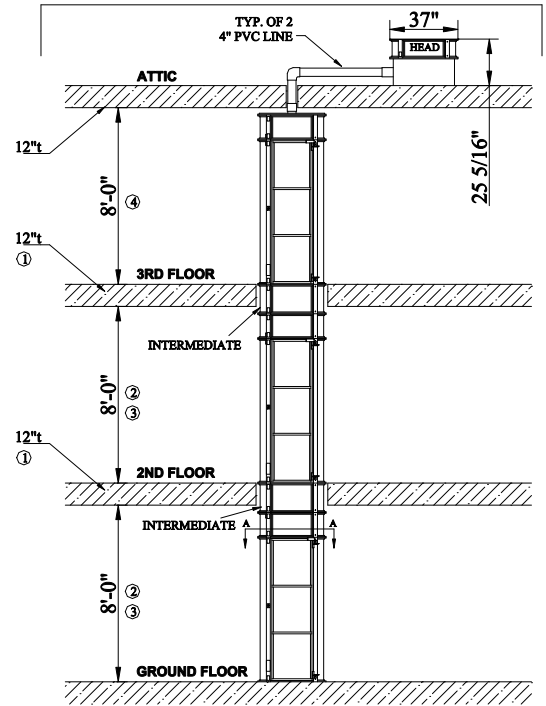


TYPICAL SETUP



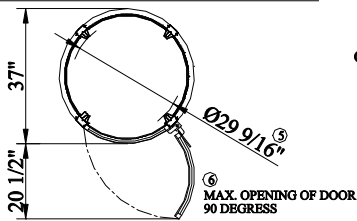
OPTION: REMOTE LOCATION OF HEAD UNIT



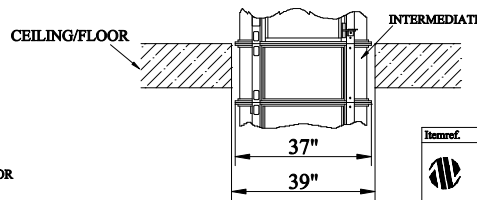
NOTE:

- ① INTERMEDIATE CYLINDER IS CUSTOM MADE AS FLOOR THICKNESS MAY VARY FROM HOME TO HOME.
- ② INTERMEDIATE CYLINDER IS CUSTOM MADE AS ROOM HEIGHT MAY VARY FROM HOME TO HOME.
- ③ MINIMUM ALLOWABLE HEIGHT IS 7'-9"
- ④ MINIMUM ALLOWABLE HEIGHT AS SHOWN FOR THIS TYPE OF INSTALLATION
- ⑤ INTERNAL DIAMETER OF CABIN WITHOUT THE COLUMNS IS 32" AND THE INTERNAL CABIN HEIGHT IS 6'-5"
- ⑥ DOOR WIDTH IS 23 1/2"
- 7 MAX. ELEVATOR HEIGHT IS 35'

VIEW "A-A"
SCALE 2:1



DETAIL "A"
SCALE 2:1
(TYPICAL OF FLOOR PENETRATION)



Information contain herein is the property of Pneumatic Vacuum Elevators LLC. No reproduction or disclosure of this information may be made by the recipient to any person or organization without the written consent of Pneumatic Vacuum Elevators LLC.

Itemref.	Quantity	Material	Dimensions	Article No./ Reference	
TYPICAL HOME INSTALLATION FOR A 3STOP ELEVATOR					
Designed by		Scale	Drawing No.	Rev	Date
HS		1:1	D-TYP-H-02	0	11/29/04

PNEUMATIC VACUUM ELEVATORS LLC