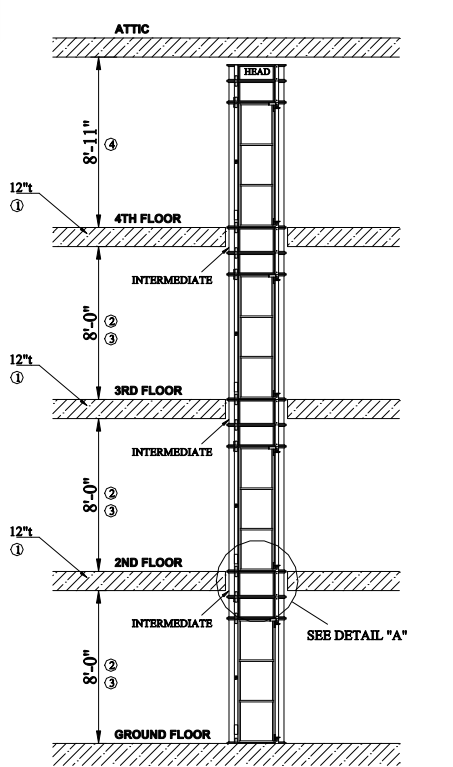
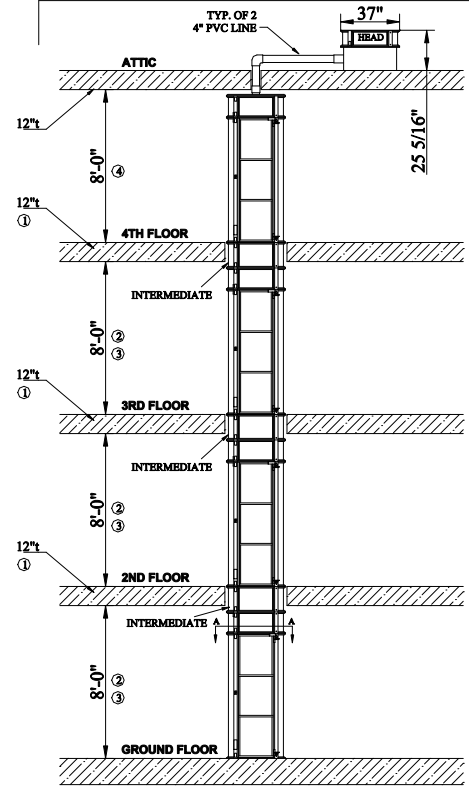


**TYPICAL SETUP**



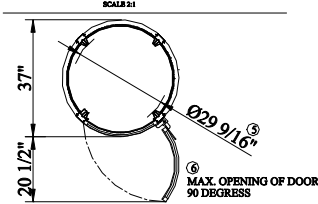
**OPTION: REMOTE LOCATION OF HEAD UNIT**



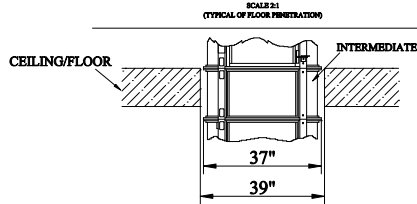
**NOTE:**

- ① INTERMEDIATE CYLINDER IS CUSTOM MADE AS FLOOR THICKNESS MAY VARY FROM HOME TO HOME.
- ② INTERMEDIATE CYLINDER IS CUSTOM MADE AS ROOM HEIGHT MAY VARY FROM HOME TO HOME.
- ③ MINIMUM ALLOWABLE HEIGHT IS 7'-9"
- ④ MINIMUM ALLOWABLE HEIGHT AS SHOWN FOR THIS TYPE OF INSTALLATION
- ⑤ INTERNAL DIAMETER OF CABIN WITHOUT THE COLUMNS IS 32" AND THE INTERNAL CABIN HEIGHT IS 6'-5"
- ⑥ DOOR WIDTH IS 23 1/2"
- ⑦ MAX. ELEVATOR TRAVEL HEIGHT IS 35'

**VIEW "A-A"**



**DETAIL "A"**



Information contained herein is the property of Pneumatic Vacuum Elevators LLC. No reproduction or disclosure of this information may be made by the recipient to any person or organization without the written consent of Pneumatic Vacuum Elevators LLC.

Item Ref.	Quantity	Material	Dimensions	Article No./ Reference
<b>TYPICAL HOME INSTALLATION FOR A 4STOP ELEVATOR</b>				
<b>PNEUMATIC VACUUM ELEVATORS LLC</b>		Designed by HB	Scale 1:1	Drawing No. D-TYP-H-03
Rev	0	Date	08/23/04	