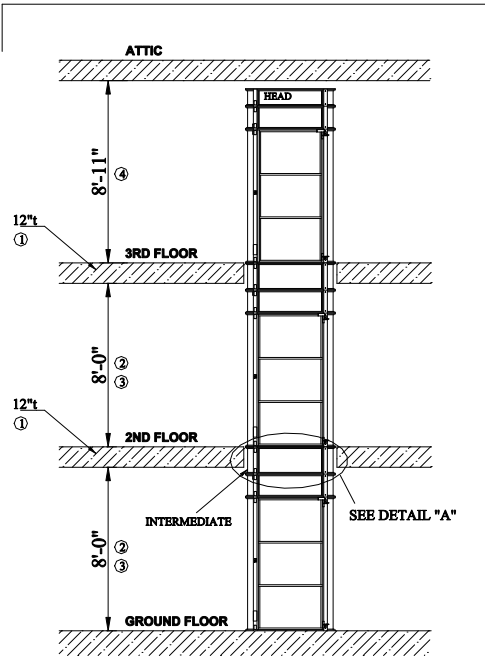
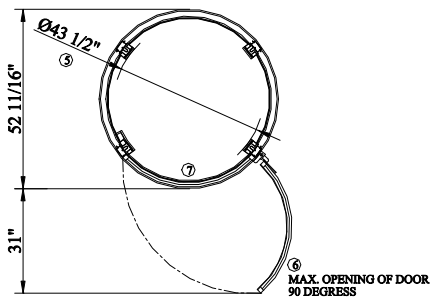


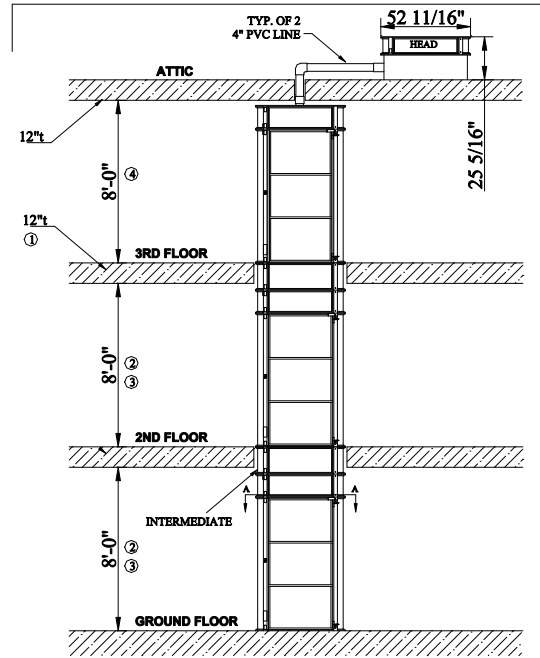
TYPICAL SETUP



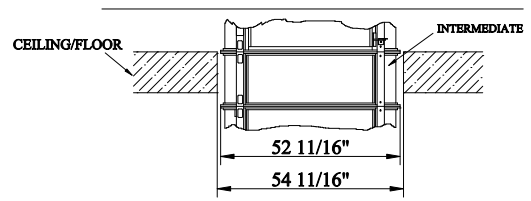
VIEW "A-A"
SCALE 2:1



OPTION: REMOTE LOCATION OF HEAD UNIT



DETAIL "A"
SCALE 2:1
(TYPICAL OF FLOOR PENETRATION)



NOTE:

- ① INTERMEDIATE CYLINDER IS CUSTOM MADE AS FLOOR THICKNESS MAY VARY FROM HOME TO HOME.
- ② INTERMEDIATE CYLINDER IS CUSTOM MADE AS ROOM HEIGHT MAY VARY FROM HOME TO HOME.
- ③ MINIMUM ALLOWABLE HEIGHT IS 7'-9"
- ④ MINIMUM ALLOWABLE HEIGHT AS SHOWN FOR THIS TYPE OF INSTALLATION
- ⑤ INTERNAL DIAMETER OF CABIN WITHOUT THE COLUMNS IS 47 1/2" AND THE INTERNAL CABIN HEIGHT IS 6'-7"
- ⑥ DOOR WIDTH IS 37 9/16"
- ⑦ ENTRANCE WAY WIDTH OPENING IS 32"
- ⑧ MAX. ELEVATOR HEIGHT IS 35'

Information contained herein is the property of Pneumatic Vacuum Elevators LLC. No reproduction or disclosure of this information may be made by the recipient to any person or organization without the written consent of Pneumatic Vacuum Elevators LLC.

| Item No. | Quantity | Material | Dimensions | Article No./Reference |
|--|----------|----------|-------------|-----------------------|
| TYPICAL HOME INSTALLATION FOR A 3STOP ELEVATOR - MODEL UBS2 | | | | |
| Designed by | | Scale | Drawing No. | Rev |
| HS | | 1:1 | D-752-H-02 | 0 |
| Date | | | | 01/23/07 |



PNEUMATIC VACUUM ELEVATORS LLC