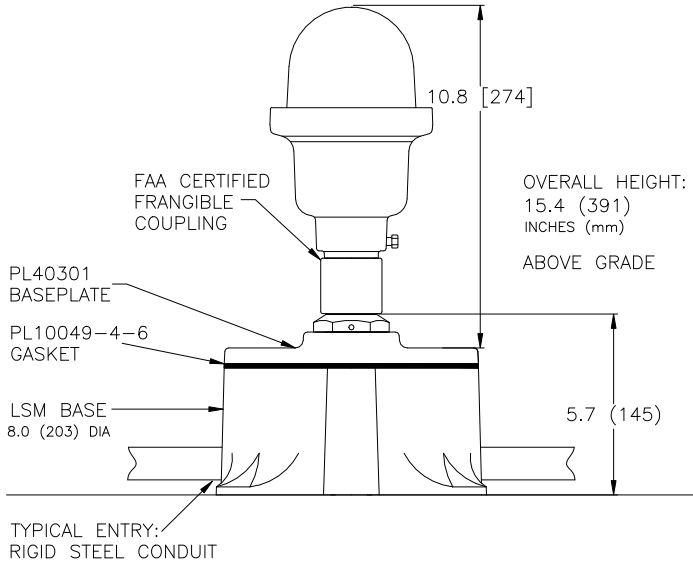


H05

# HELIPORT PERIMETER LIGHT

- ➔ STANDARD FAA PEL
- ➔ LOW PROFILE SURFACE MOUNT
- ➔ FRANGIBLE MOUNT
- ➔ LSM SURFACE BASE
- ➔ RIGID CONDUIT ENTRY

INCANDESCENT:  
 PEL-50000-X-XXA-LSM  
 LED:  
 PEL-57005-XH-X-LSM

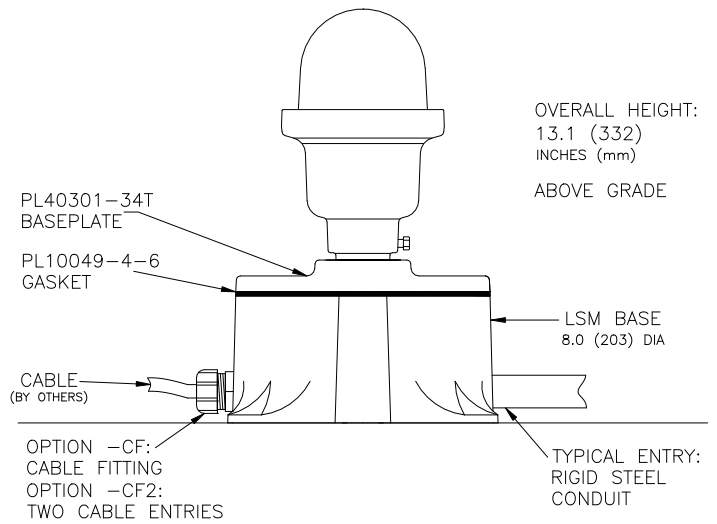


H06

# HELIPORT PERIMETER LIGHT

- ➔ STANDARD FAA PEL
- ➔ SURFACE MOUNT
- ➔ RIGID MOUNT
- ➔ LSM SURFACE BASE
- ➔ EXPOSED CABLE OR RIGID CONDUIT ENTRY

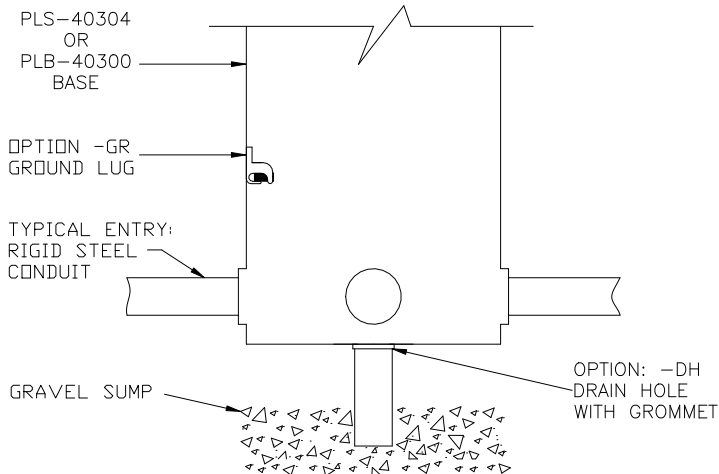
INCANDESCENT:  
 PEL-50000-X-XXA-LP34-LSM  
 LED:  
 PEL-57005-XH-X-LP34-LSM



# HELIPORT OPTION -DH DRAIN HOLE WITH GRAVEL SUMP

H07

USED WHERE WATER COLLECTION IN THE BASE IS A CONCERN.  
 RECOMMENDED IN COLD WEATHER AREAS WHERE FREEZING  
 MAY CAUSE DAMAGE TO THE LIGHT.  
 MAY BE ORDERED WITH ELEVATED OR INSET LIGHTS.



# YACHT DECK LIGHT

H08

- ➔ POINT ROLLOVER LIGHT
- ➔ INSET LIGHT
- ➔ DECK MOUNTED

LED:  
 PRL-97004-XX-X-CL

