

HELIPORT PERIMETER LIGHT H09

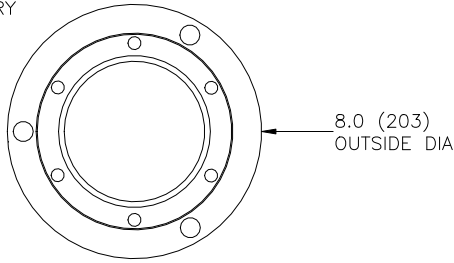
- ➔ POINT ROLLOVER LIGHT
- ➔ INSET LIGHT
- ➔ PLB MOUNTED
- ➔ RIGID CONDUIT ENTRY

INCANDESCENT:
PRL-90000-2-X-XXA-PLB

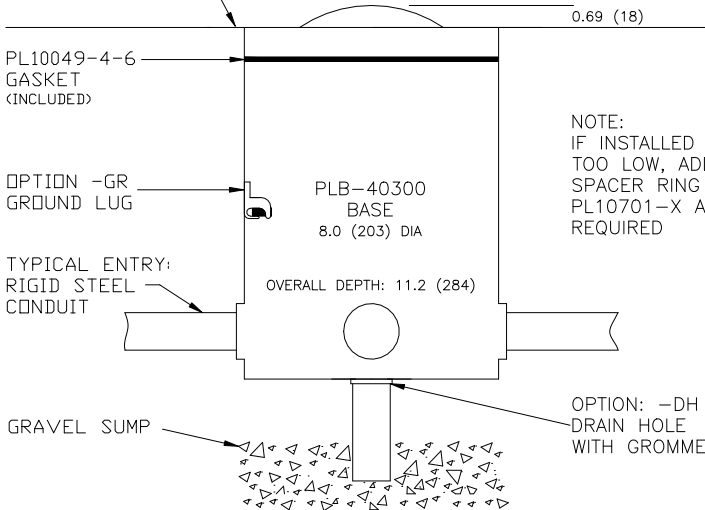
LED:
PRL-97004-XH-X-PLB

INCHES (mm)

TOP VIEW



PAVEMENT SURFACE



HELIDECK PERIMETER LIGHT H10

- ➔ POINT ROLLOVER LIGHT
- ➔ SURFACE MOUNTED
- ➔ PLB MOUNTED
- ➔ RIGID CONDUIT ENTRY

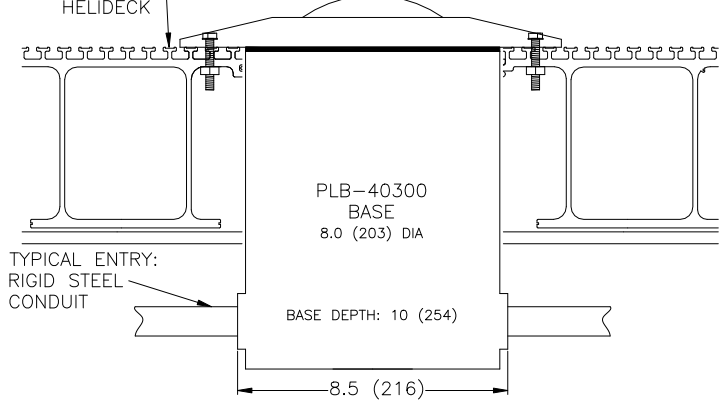
PRL-90700-2-X-XXA-PLB
PRL-97704-XC-X-PLB-MT
PRL-97704-XC-X-EX-PLB
PRL-97704-XC-X-AX-PLB

INCHES (mm)

TOP VIEW



PREFAB METAL
HELIDECK



H11

HELIPORT PERIMETER LIGHT

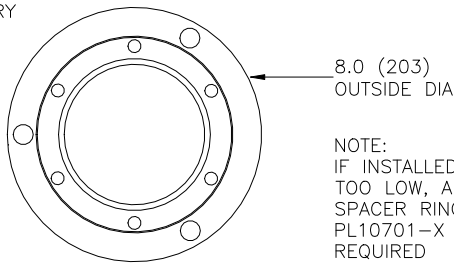
- ➔ POINT ROLLOVER LIGHT
- ➔ INSET LIGHT
- ➔ PLS MOUNTED
- ➔ RIGID CONDUIT ENTRY

LED:
PRL-97004-XH-X-PLS*

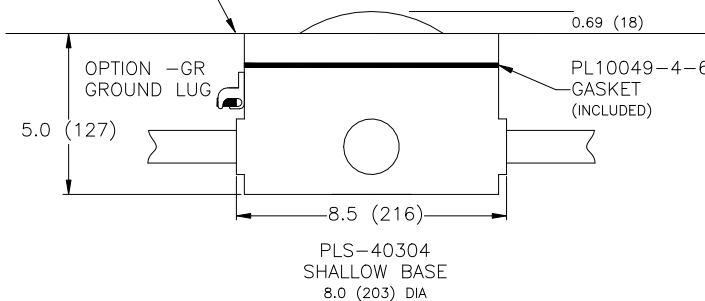
*AVAILABLE IN LED ONLY

INCHES (mm)

TOP VIEW



PAVEMENT SURFACE



HELIDECK PERIMETER LIGHT H12

- ➔ POINT ROLLOVER LIGHT
- ➔ SURFACE MOUNTED
- ➔ EXPOSED CABLE

LED:
PRL-97704-XH-X-MT-CL*

*AVAILABLE IN LED ONLY

INCHES (mm)

TOP VIEW



PREFAB METAL
HELIDECK

