

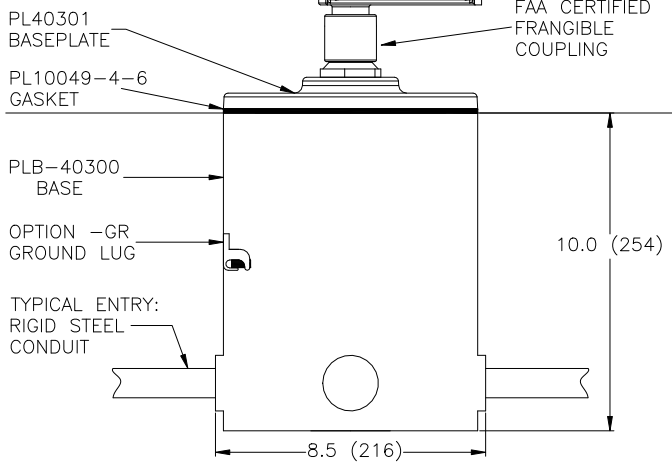
H25

HELIPORT PERIMETER & FLOODLIGHT

- ➔ COMBINATION PHL
- ➔ FRANGIBLE MOUNT
- ➔ PLB BASE
- ➔ RIGID CONDUIT ENTRY

PHL-57005-XC-X-53062-PLB

OVERALL HEIGHT:
16.2 (411)
INCHES (mm)



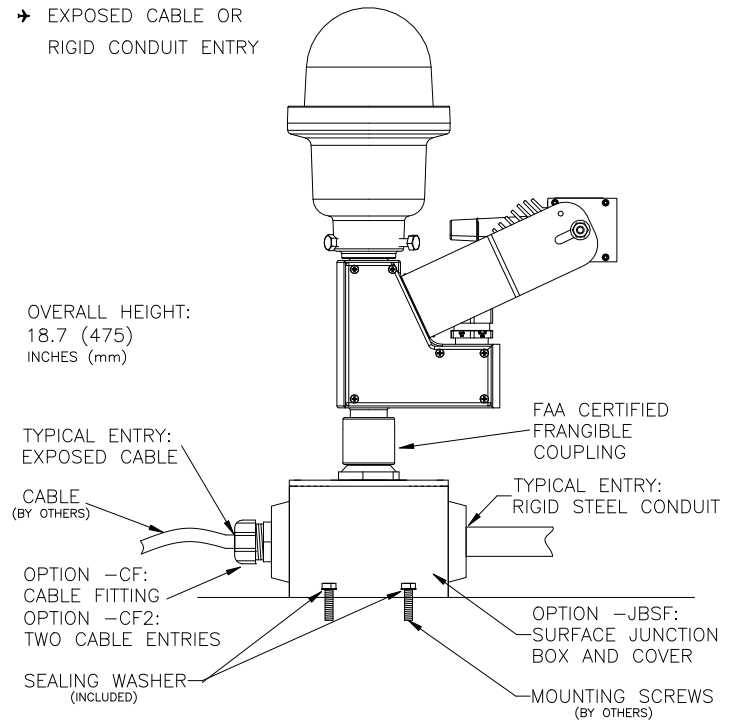
H26

HELIPORT PERIMETER & FLOODLIGHT

- ➔ COMBINATION PHL
- ➔ FRANGIBLE MOUNT
- ➔ SURFACE MOUNTED
- ➔ EXPOSED CABLE OR
RIGID CONDUIT ENTRY

PHL-57005-XC-X-53062-JBS

OVERALL HEIGHT:
18.7 (475)
INCHES (mm)



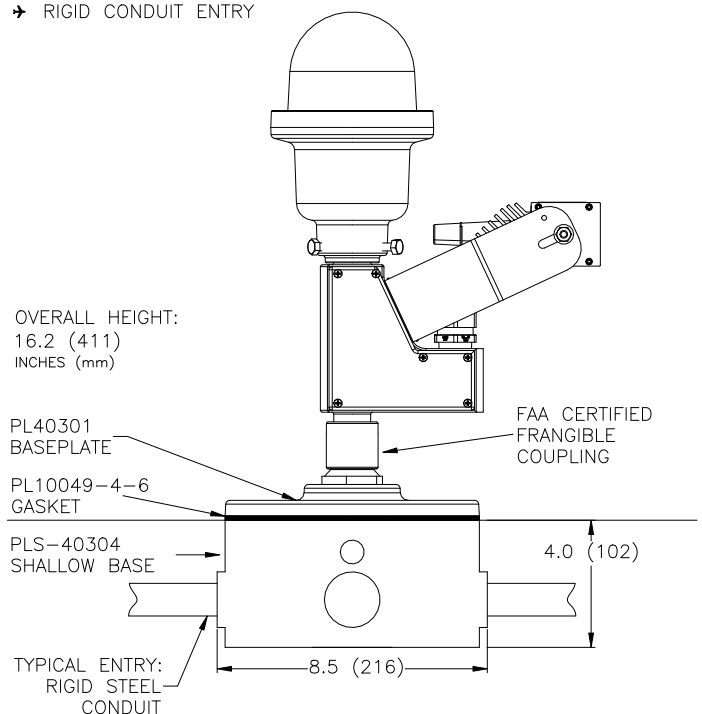
H27

HELIPORT PERIMETER & FLOODLIGHT

- ➔ COMBINATION PHL
- ➔ FRANGIBLE MOUNT
- ➔ PLS SHALLOW BASE
- ➔ RIGID CONDUIT ENTRY

PHL-57005-XC-X-53062-PLS

OVERALL HEIGHT:
16.2 (411)
INCHES (mm)



H28

HELIPORT PERIMETER & FLOODLIGHT

- ➔ COMBINATION PHL
- ➔ FRANGIBLE MOUNT
- ➔ PARAPET WALL MOUNTED
- ➔ EXPOSED CABLE OR
RIGID CONDUIT ENTRY

PHL-57005-XC-X-53062-JBP

OVERALL HEIGHT*:
15.0 (381)
INCHES (mm)
*FROM WALL

