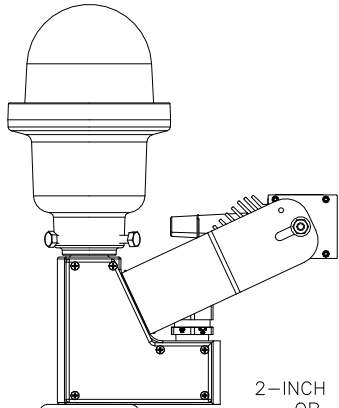


H37

HELIPORT PERIMETER & FLOODLIGHT

- SLIPFITTER -SF OPTION
- FENCE POST MOUNT
- BOTTOM ENTRY

PHL-57005-XH-X-53062-SF



OPTION -SF
SLIPFITTER

2-INCH EMT
OR
FENCE POST (60mm)
(BY OTHERS)

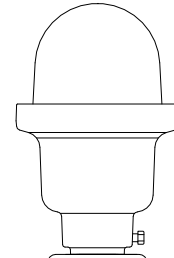
H38

HELIPORT PERIMETER LIGHT

- SLIPFITTER -SF OPTION
- FENCE POST MOUNT
- BOTTOM ENTRY

PEL-50000-X-XXA-SF

PEL-57005-XH-X-SF



OPTION -SF
SLIPFITTER

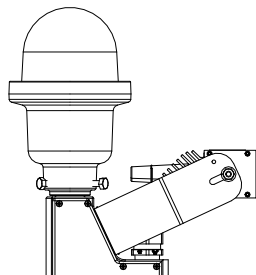
2-INCH EMT
OR
FENCE POST (60mm)
(BY OTHERS)

H39

HELIPORT PERIMETER & FLOODLIGHT

- SLIPFITTER -SF OPTION
- FRANGIBLE MOUNT
- PLB BASE
- RIGID CONDUIT ENTRY

PHL-57005-XC-X-53062-SF-2P-PLB



OPTION -SF
SLIPFITTER

HEIGHT UP TO 2-METERS

2-INCH EMT

PL40301-2S
BASEPLATE

2-INCH FAA
FRANGIBLE COUPLING

PL10049-4-6
GASKET

PLB-40300
BASE

TYPICAL ENTRY:
RIGID STEEL
CONDUIT

DRAWING SCALE: 3/4

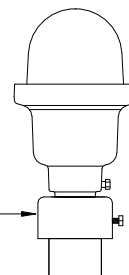
H40

HELIPORT PERIMETER LIGHT

- SLIPFITTER -SF OPTION
- FRANGIBLE MOUNT
- PLB BASE
- RIGID CONDUIT ENTRY

PEL-50000-X-XXA-SF-2P-PLB

PEL-57005-XH-X-SF-2P-PLB



OPTION -SF
SLIPFITTER

HEIGHT UP TO 2-METERS

2-INCH EMT

PL40301-2S
BASEPLATE

2-INCH FAA
FRANGIBLE COUPLING

PL10049-4-6
GASKET

PLB-40300
BASE

TYPICAL ENTRY:
RIGID STEEL
CONDUIT

DRAWING SCALE: 3/4