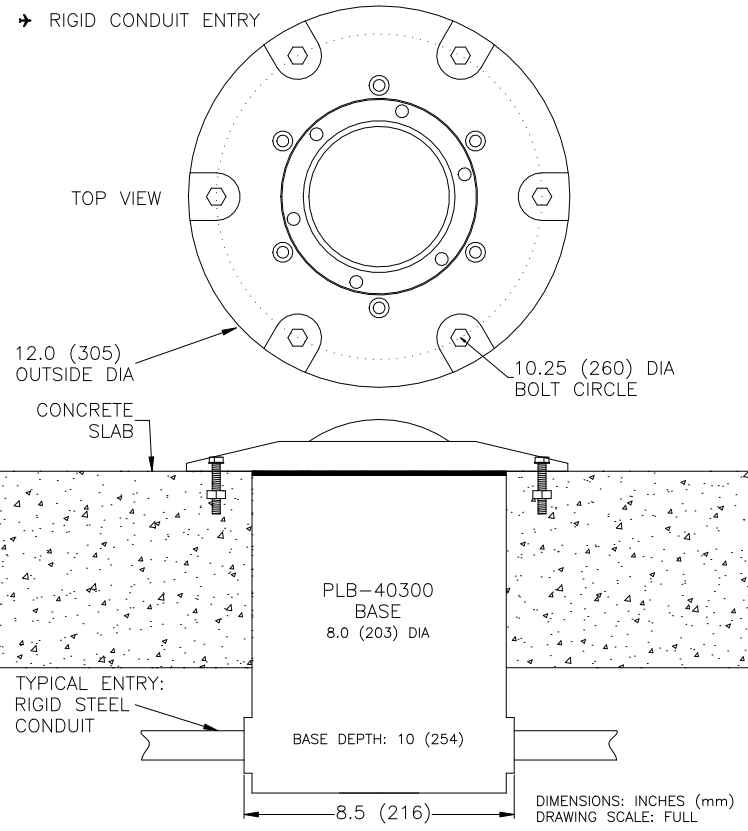


# HELIPORT PERIMETER LIGHT H60

- ➔ POINT ROLLOVER LIGHT
- ➔ SURFACE MOUNTED
- ➔ PLB MOUNTED
- ➔ RIGID CONDUIT ENTRY

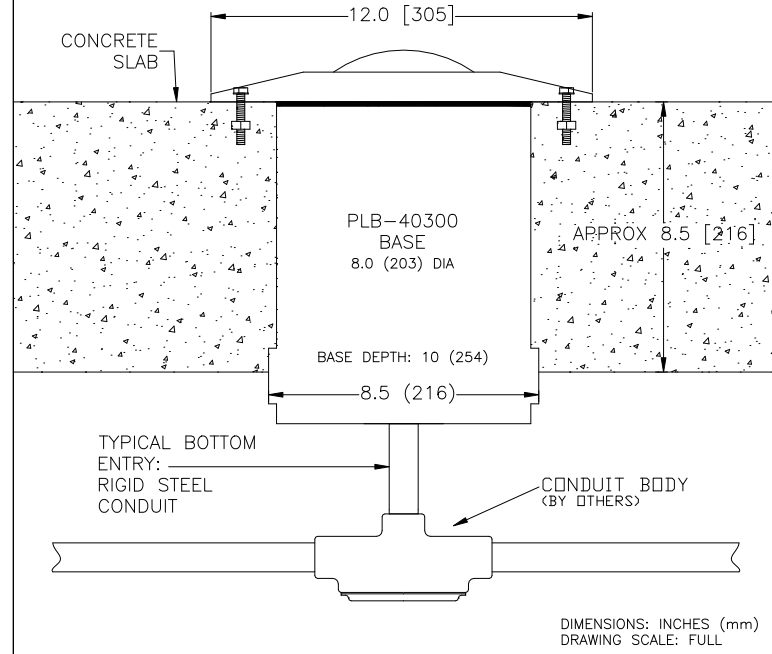
PRL-90700-2-X-XXA-PLB  
 PRL-97704-XC-X-PLB-MT  
 PRL-97704-XC-X-EX-PLB  
 PRL-97704-XC-X-AX-PLB



# HELIPORT PERIMETER LIGHT H61

- ➔ POINT ROLLOVER LIGHT
- ➔ SURFACE MOUNTED
- ➔ PLB MOUNTED
- ➔ RIGID CONDUIT ENTRY

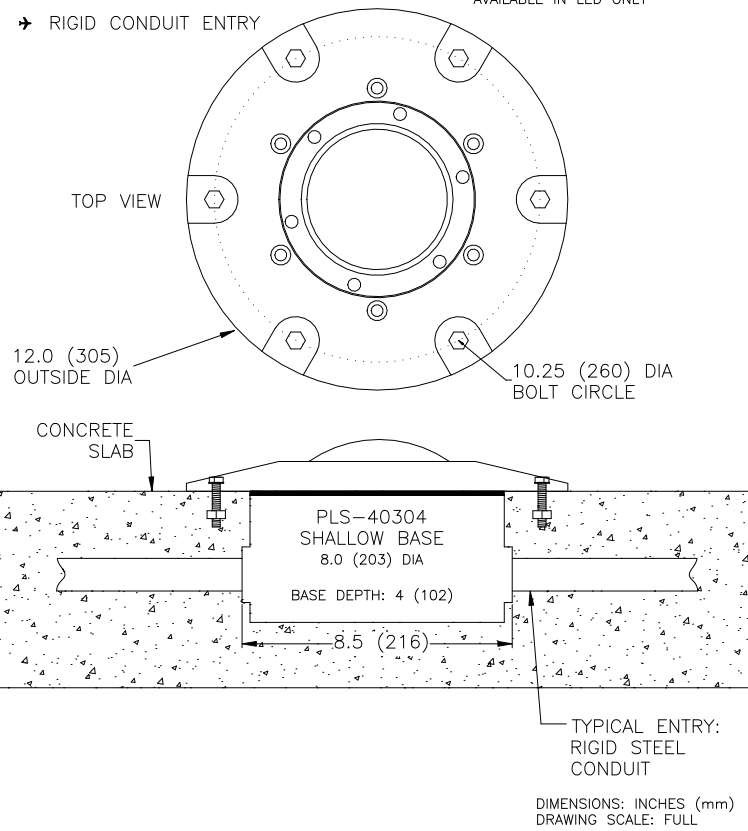
PRL-90700-2-X-XXA-PLB  
 PRL-97704-XC-X-PLB-MT  
 PRL-97704-XC-X-EX-PLB  
 PRL-97704-XC-X-AX-PLB



# HELIPORT PERIMETER LIGHT H62

- ➔ POINT ROLLOVER LIGHT
- ➔ SURFACE MOUNTED
- ➔ PLS MOUNTED
- ➔ RIGID CONDUIT ENTRY

LED:  
 PRL-97704-XC-X-PLS-MT  
 PRL-97704-XC-X-AX-PLS  
 PRL-97704-XC-X-EX-PLS  
 \*AVAILABLE IN LED ONLY



# HELIPORT PERIMETER LIGHT H63

- ➔ POINT ROLLOVER LIGHT
- ➔ SURFACE MOUNTED
- ➔ PLB MOUNTED
- ➔ RIGID CONDUIT ENTRY

PRL-90700-2-X-XXA-PLB  
 PRL-97704-XC-X-PLB-MT  
 PRL-97704-XC-X-EX-PLB  
 PRL-97704-XC-X-AX-PLB

