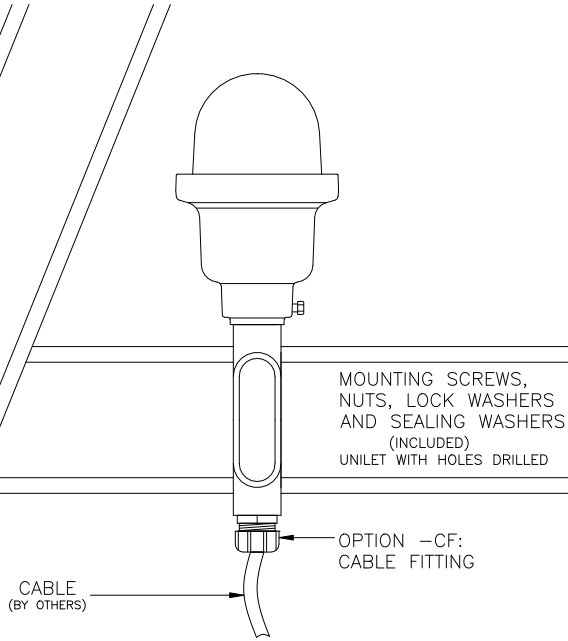


OBSTRUCTION LIGHT OL05

- ➔ FAA L-810 SINGLE LIGHT
- ➔ FIXED MOUNT
- ➔ STEELWORK MOUNTED
- ➔ EXPOSED CABLE ENTRY

INCANDESCENT:
POL-20000-R-116-34L-CF[B]

LED:
POL-21005-xF-R-34L-S-CF[B]
POL-22001-xF-R-34L-S-CF[B]

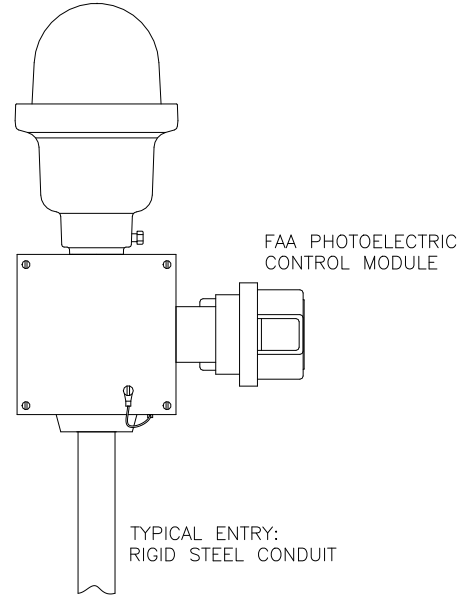


OBSTRUCTION LIGHT OL06 WITH OPTION -P

- ➔ FAA L-810 SINGLE LIGHT
- ➔ FIXED MOUNT
- ➔ PREWIRED FAA PEC

INCANDESCENT:
POL-20000-R-116-34B-S3-P

LED:
POL-21005-xF-R-34B-S3-P
POL-22001-xF-R-34B-S3-P
NOTE: SINGLE LIGHT MUST BE -S3

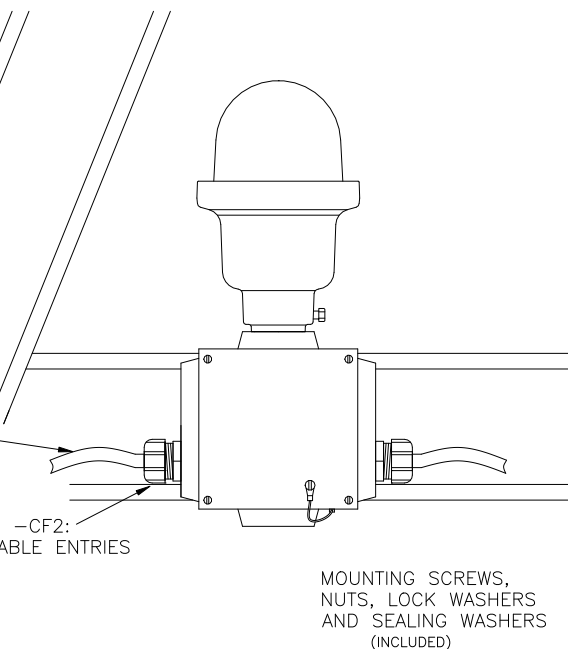


OBSTRUCTION LIGHT OL07

- ➔ FAA L-810 SINGLE LIGHT
- ➔ FIXED MOUNT
- ➔ STEELWORK MOUNTED
- ➔ EXPOSED CABLE ENTRY

INCANDESCENT:
POL-20000-R-116-34F-S3-CF2[C]

LED:
POL-21005-XF-R-34F-S3-CF2[C]
POL-22001-XF-R-34F-S3-CF2[C]



OBSTRUCTION LIGHT OL08

- ➔ FAA L-810 SINGLE LIGHT
- ➔ FIXED MOUNT
- ➔ STEELWORK MOUNTED
- ➔ EXPOSED CABLE OR RIGID CONDUIT ENTRY

INCANDESCENT:
POL-20000-R-116-34F-S3

LED:
POL-21005-xF-R-34F-S3
POL-22001-xF-R-34F-S3

WALL MOUNTING HARDWARE INCLUDED WITH OPTIONS -[C] OR -CF[C]

