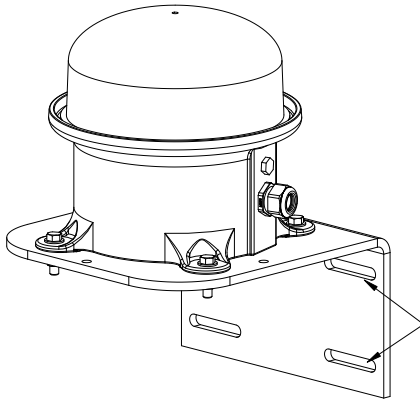


SINGLE BEACON BRACKET PL11215 WALL MOUNT

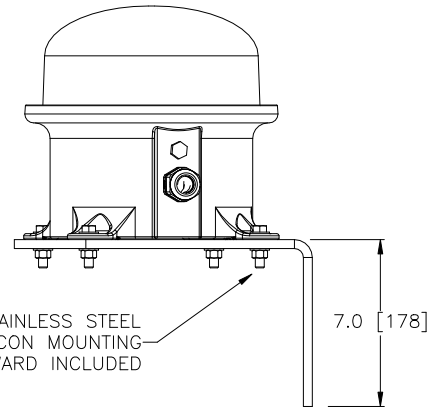
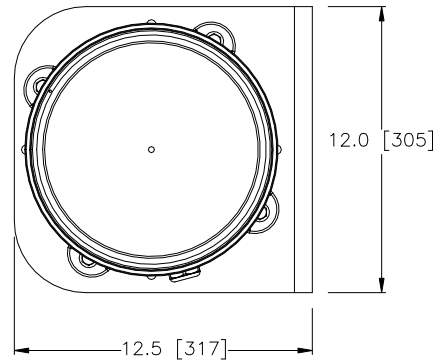
OL27

- FAA L-864 FLASHING BEACON
- FIXED MOUNT
- BOLT-ON BRACKET MOUNTED
- ALUMINUM BRACKET
- ONE BEACON MOUNT
- PL11215 BRACKET KIT ALUMINUM

LED:
PFB-37002-R-x



BOLT TO STRUCTURE
1/2-INCH HARDWARE
REQUIRED (BY OTHERS)



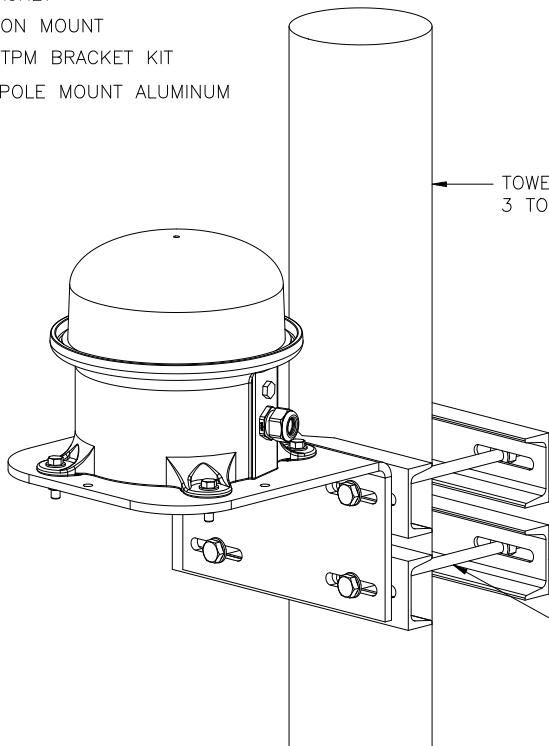
DIMENSIONS: INCHES (mm)
DRAWING SCALE: 1/3

SINGLE BEACON BRACKET PL11215-TPM TOWER-POLE MOUNT

OL28

- FAA L-864 FLASHING BEACON
- FIXED MOUNT
- WELD BRACKET MOUNTED
- STEEL BRACKET
- ONE BEACON MOUNT
- PL11215-TPM BRACKET KIT
TOWER/POLE MOUNT ALUMINUM

LED:
PFB-37002-R-x

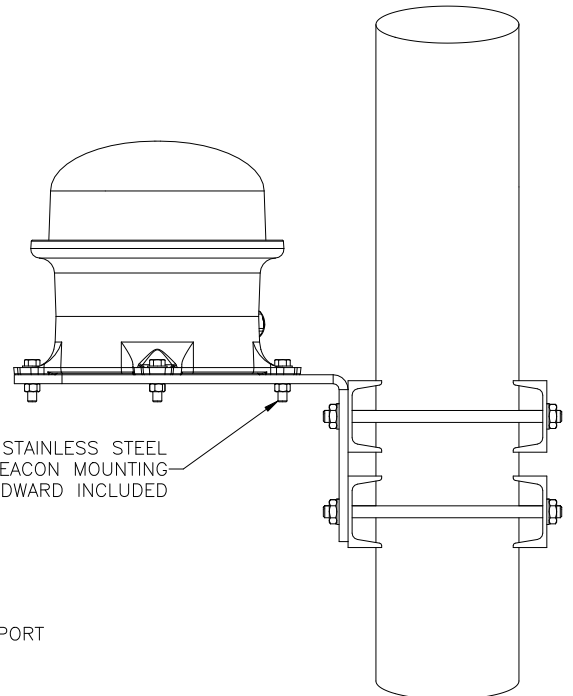


TOWER / POLE
3 TO 6-INCH DIA

316L STAINLESS STEEL
BEACON MOUNTING
HARDWARD INCLUDED

BRACKET SUPPORT
CHANNEL
(QTY 4 INCLUDED)

BOLT TO STRUCTURE
1/2-INCH, 316
STAINLESS STEEL
HARDWARE INCLUDED



DIMENSIONS: INCHES (mm)
DRAWING SCALE: 3/4