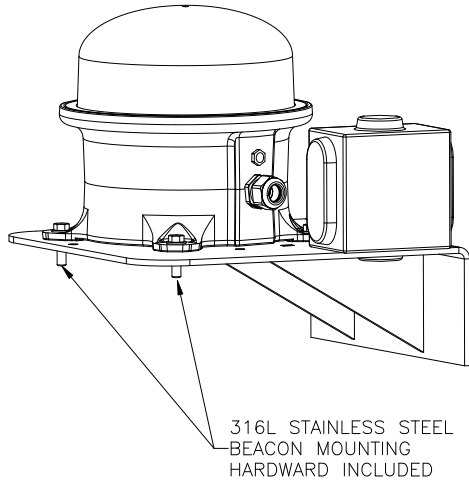


STEEL BRACKET OPTION WELD MOUNT

OL31

- FAA L-864 FLASHING BEACON
- FIXED MOUNT
- WELD BRACKET MOUNTED
- STEEL BRACKET
- ONE BEACON MOUNT
- PL11217 BRACKET KIT STEEL

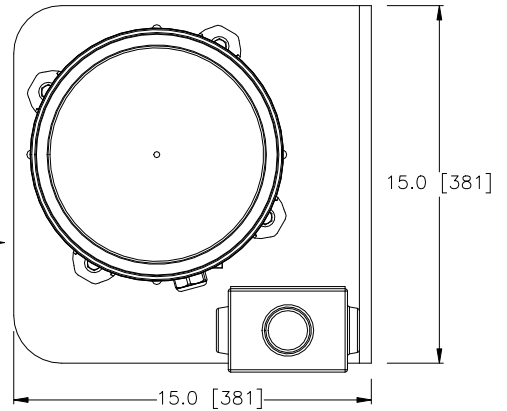
LED:
PFB-37002-R-x



CARBON STEEL BRACKET

WELDED TO STRUCTURE

316L STAINLESS STEEL
BEACON MOUNTING
HARDWARD INCLUDED



316L STAINLESS STEEL
BEACON MOUNTING
HARDWARD INCLUDED

PJB-40092
JUNCTION BOX
(ORDER SEPARATELY)

5.0 [127]

DIMENSIONS: INCHES (mm)
DRAWING SCALE: 3/4

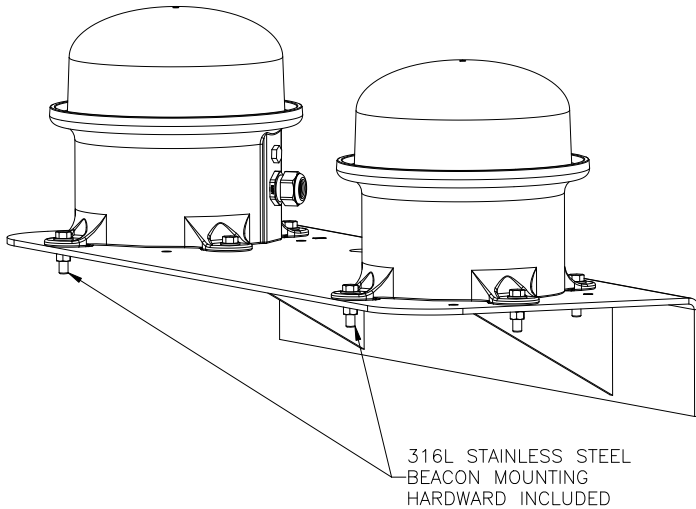
DIMENSIONS: INCHES (mm)
DRAWING SCALE: 3/4

STEEL BRACKET OPTION WELD MOUNT

OL32

- FAA L-864 FLASHING BEACON
- FIXED MOUNT
- WELD BRACKET MOUNTED
- STEEL BRACKET
- TWO BEACON MOUNT
- PL11218 BRACKET KIT STEEL

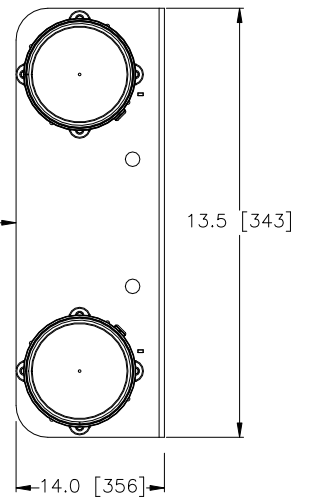
LED:
PFB-37002-R-x-xx
PFB-37002-R-x-xx-SB



CARBON STEEL BRACKET

WELDED TO STRUCTURE

316L STAINLESS STEEL
BEACON MOUNTING
HARDWARD INCLUDED



316L STAINLESS STEEL
BEACON MOUNTING
HARDWARD INCLUDED

5.0 [127]

DIMENSIONS: INCHES (mm)
DRAWING SCALE: 1/3

DIMENSIONS: INCHES (mm)
DRAWING SCALE: 3/4