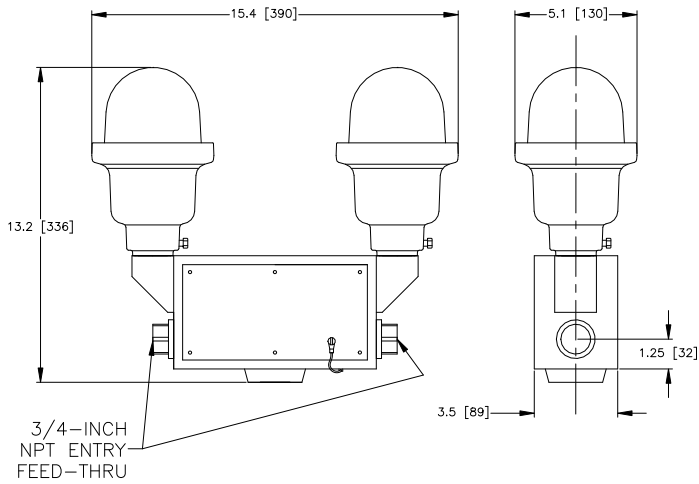


# OBSTRUCTION LIGHT OL33

- ➔ FAA L-810 DOUBLE LIGHT
- ➔ FIXED MOUNT
- ➔ STEELWORK MOUNTED
- ➔ FEED-THRU ENTRY

INCANDESCENT:  
POL-20000-R-xxx-34F-DJ

LED:  
POL-21005-xF-R-34F-D  
POL-22001-xF-R-34F-D



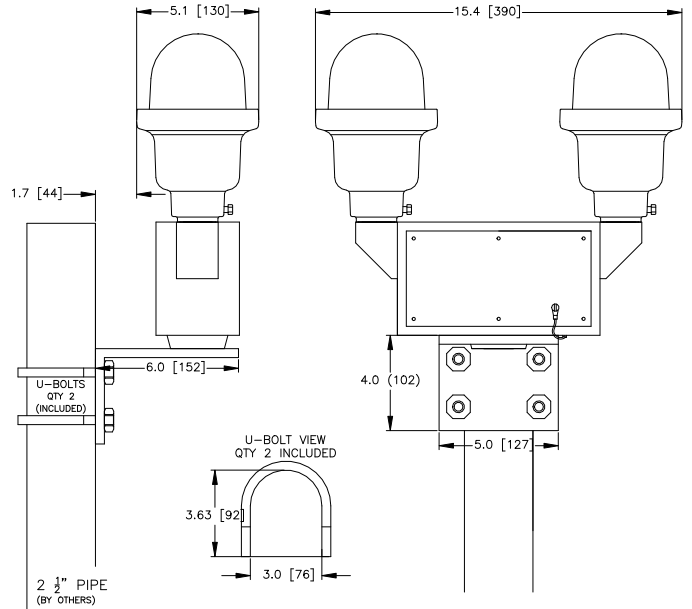
DIMENSIONS: INCHES (mm)  
DRAWING SCALE: 3/4

# OPTION -BKTU DOUBLE OL34

- ➔ FAA L-810 DOUBLE
- ➔ BRACKET MOUNT
- ➔ U-BOLT HARDWARE

INCANDESCENT:  
POL-20000-R-xxx-xxx-DJ-BKTU

LED:  
POL-21005-xF-R-xxx-D-BKTU  
POL-22001-xF-R-xxx-D-BKTU



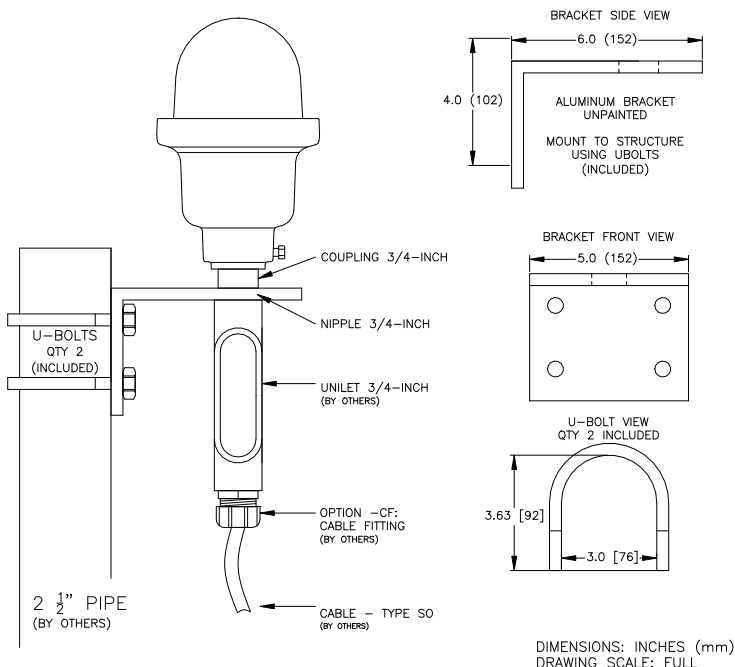
DIMENSIONS: INCHES (mm)  
DRAWING SCALE: 3/4

# OPTION -BKTU SINGLE OL35

- ➔ STANDARD FAA POL
- ➔ RIGID MOUNT
- ➔ BRACKET MOUNT
- ➔ EXPOSED CABLE OR RIGID CONDUIT ENTRY

INCANDESCENT:  
POL-20000-R-XXX-34B-BKTU

LED:  
POL-21005-xF-R-34B-S-BKTU  
POL-22001-xF-R-34B-S-BKTU



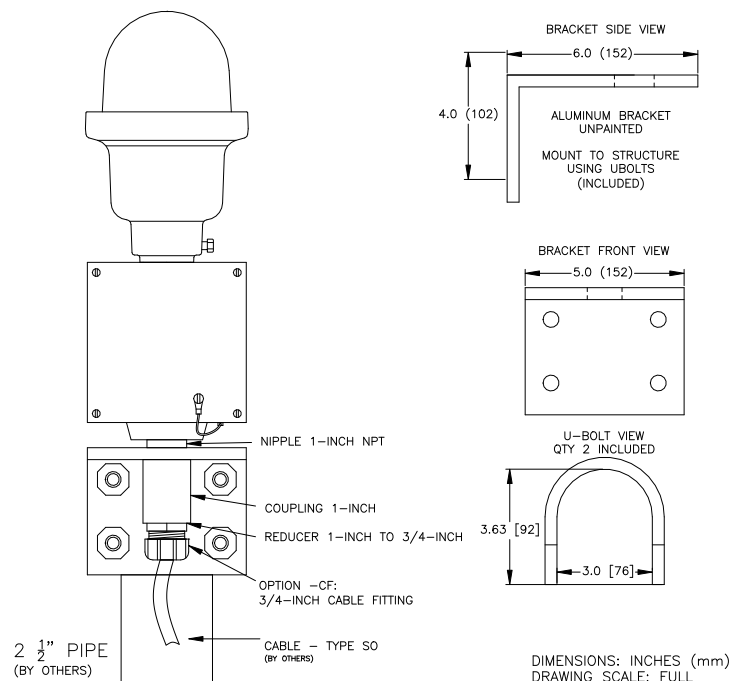
DIMENSIONS: INCHES (mm)  
DRAWING SCALE: FULL

# OPTION -BKTU SINGLE S3-P OL36

- ➔ STANDARD FAA POL
- ➔ RIGID MOUNT
- ➔ BRACKET MOUNT
- ➔ EXPOSED CABLE ENTRY
- ➔ PREWIRED FAA PEC

INCANDESCENT:  
POL-20000-R-XXX-10B-S3-BKTU-CF

LED:  
POL-21005-xF-R-10B-S3-BKTU-CF  
POL-22001-xF-R-10B-S3-BKTU-CF



DIMENSIONS: INCHES (mm)  
DRAWING SCALE: FULL