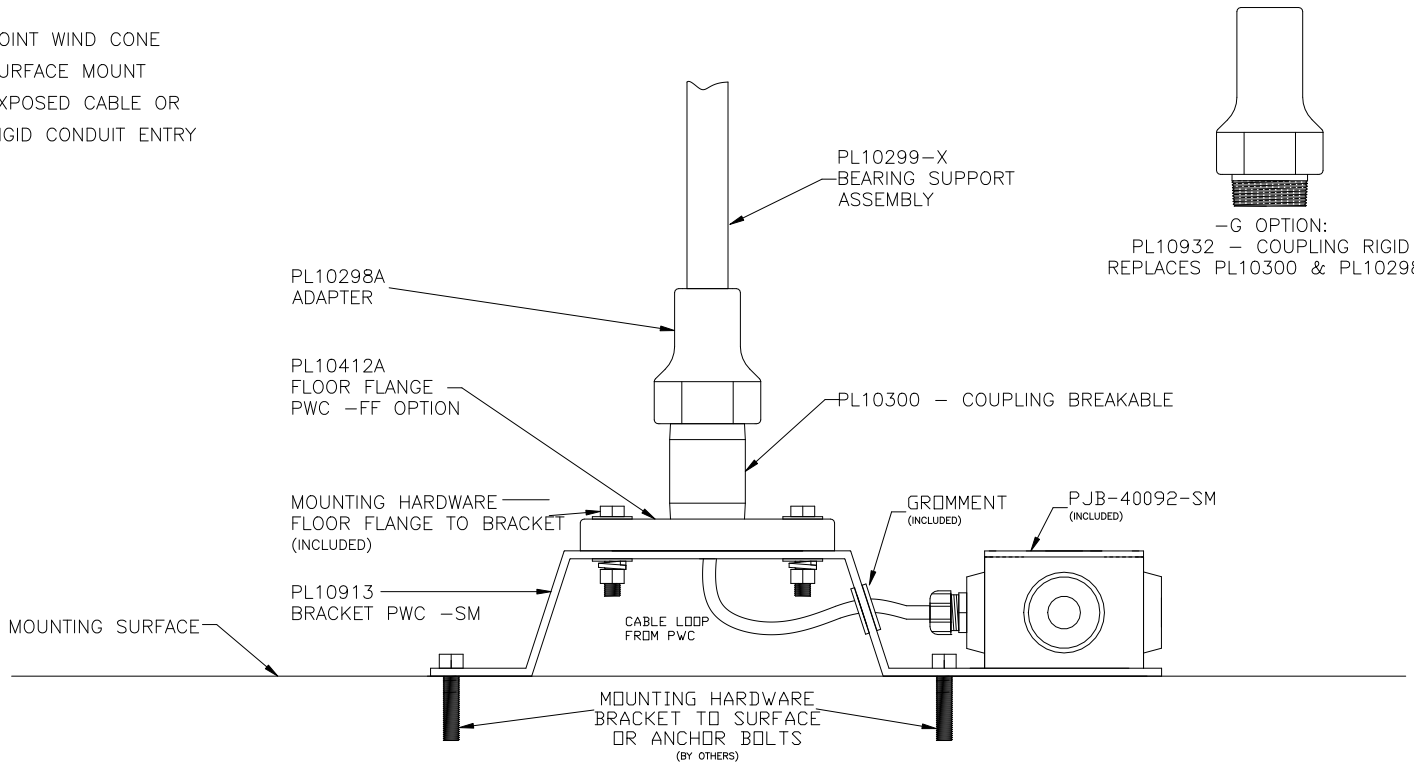


PWC OPTION -SM STAND MOUNT
FOR WIND CONE PWC-8061X

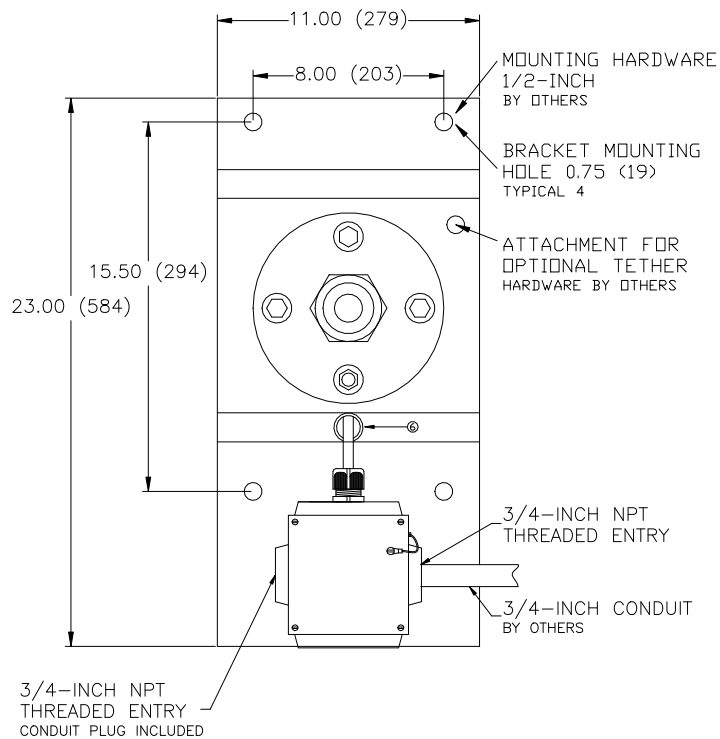
- ➔ POINT WIND CONE
- ➔ SURFACE MOUNT
- ➔ EXPOSED CABLE OR RIGID CONDUIT ENTRY



-G OPTION:
PL10932 - COUPLING RIGID
REPLACES PL10300 & PL10298A

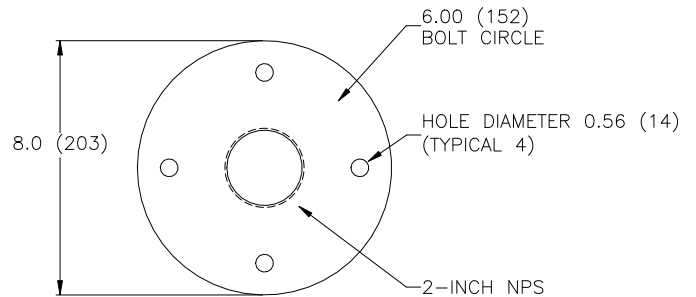
DIMENSIONS: INCHES (mm)
DRAWING SCALE: FULL

PWC OPTION -SM STAND MOUNT
FOR WIND CONE PWC-8061X



DIMENSIONS: INCHES (mm)
DRAWING SCALE: 3/4

PWC OPTION -FF FLOOR FLANGE
FOR WIND CONE PWC-8061X
MOUNTING PATTERN



DIMENSIONS: INCHES (mm)
DRAWING SCALE: FULL