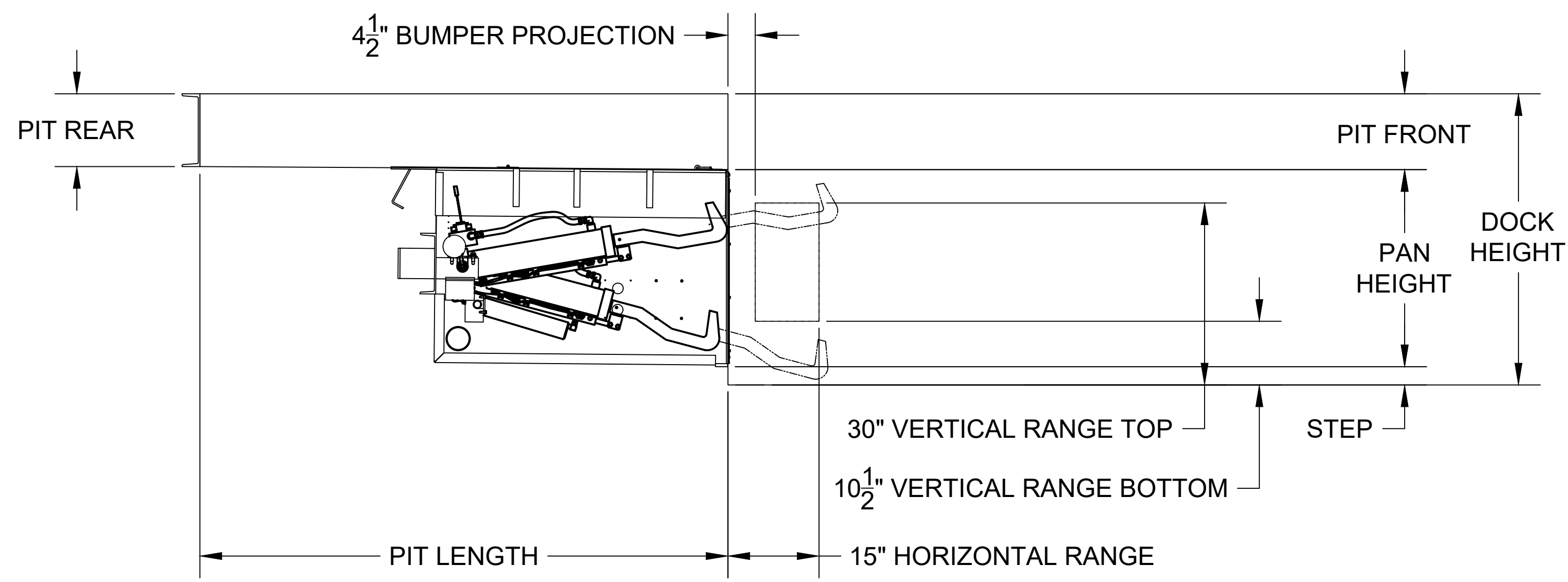
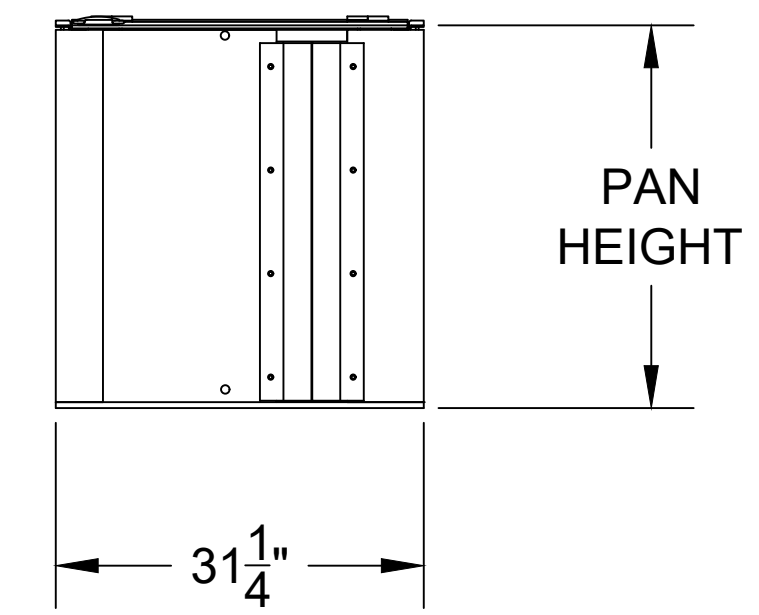


PLAN VIEW



SIDE VIEW



PLAN VIEW

- AJS 2/22/21 INTITIAL RELEASE		
POWERAMP [®]		
DIVISION OF SYSTEMS LLC, GERMANTOWN, WI		
POWERHOOK-KS4 VEHICLE RESTRAINT		
MATERIAL	DRAWN BY AJS	
UNLESS OTHERWISE SPECIFIED, ALL DIMENSIONS ARE IN INCHES WITH THE FOLLOWING TOLERANCES: FRACTIONAL: $\pm 1/32"$ DECIMAL: .00 = $\pm .01"$.000 = $\pm .005"$ ANGULAR: $\pm 1^\circ$	DATE 2/22/21	CHK'D
	DRAWING NO. POWERHOOK-KS4	