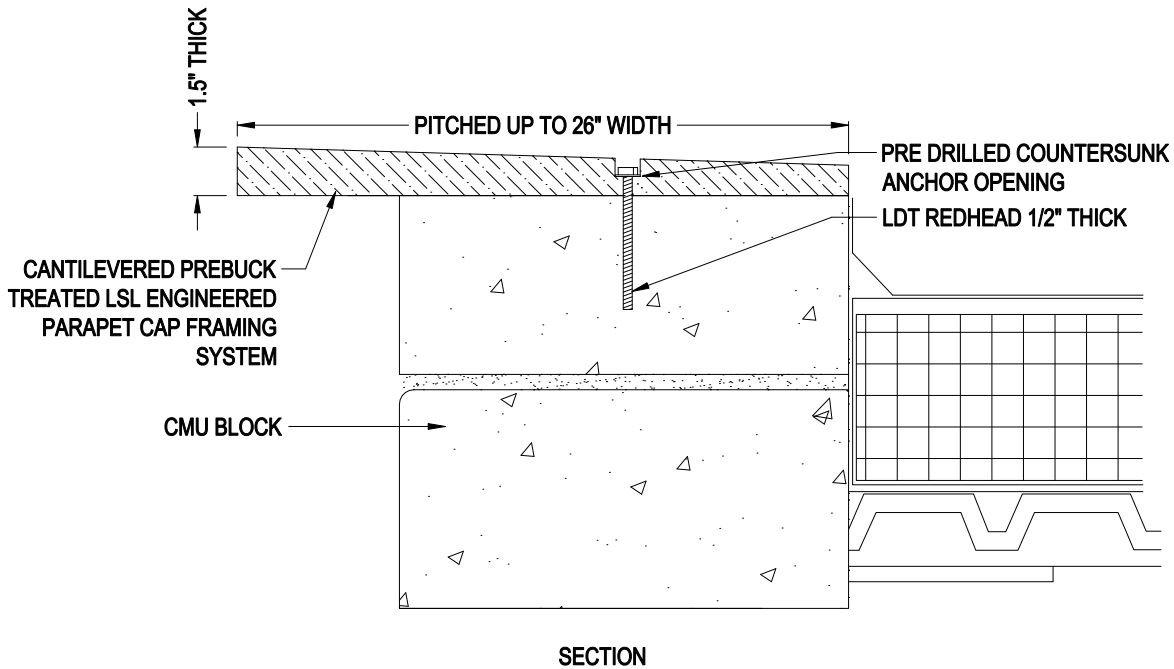




PREBUCK  
 583 NORTH WHITMAN CT.  
 ADA, MI 49301  
 PHONE: (616) 309-6256  
 FAX: (616) 551-5306  
 www.prebuckproducts.com



**BENEFITS:**

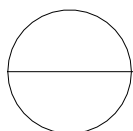
- NON CORROSIVE TO METAL
- WILL NOT CUP, TWIST OR WARP
- INSECT AND FUNGUS RESISTANT
- STABLE, STRAIGHT AND FLAT FRAMING MATERIAL
- LEED POINTS - CONTRIBUTES TOWARD CERTIFICATION
- GREEN - NATIONAL APPROVED BUILDING CERTIFICATE (NAHB)
- WARRANTY - LIMITED 25 YR (AWPA) CAT. 2LUC2

**FEATURES:**

- DESIGNED FOR DIRECT CONTACT WITH CONCRETE
- 1.5" THICK TREATED WITH ZINC BORATE LSL ENGINEERED LUMBER
- PITCHED UP 3/8" PER FOOT
- COUNTER SUNK ANCHOR OPENING

**NOTES:**

1. INSTALLATION TO BE COMPLETED IN ACCORDANCE WITH MANUFACTURER'S SPECIFICATIONS.
2. DO NOT SCALE DRAWING.
3. THIS DRAWING IS INTENDED FOR USE BY ARCHITECTS, ENGINEERS, CONTRACTORS, CONSULTANTS AND DESIGN PROFESSIONALS FOR PLANNING PURPOSES ONLY. THIS DRAWING MAY NOT BE USED FOR CONSTRUCTION.
4. ALL INFORMATION CONTAINED HEREIN WAS CURRENT AT THE TIME OF DEVELOPMENT BUT MUST BE REVIEWED AND APPROVED BY THE PRODUCT MANUFACTURER TO BE CONSIDERED ACCURATE.
5. CONTRACTOR'S NOTE: FOR PRODUCT AND COMPANY INFORMATION VISIT [www.prebuckproducts.com](http://www.prebuckproducts.com)



**PREBUCK**

PARAPET VERTICAL WALL SECTION CONCTETE MASONRY UNITS (CMU), CANTILEVERED