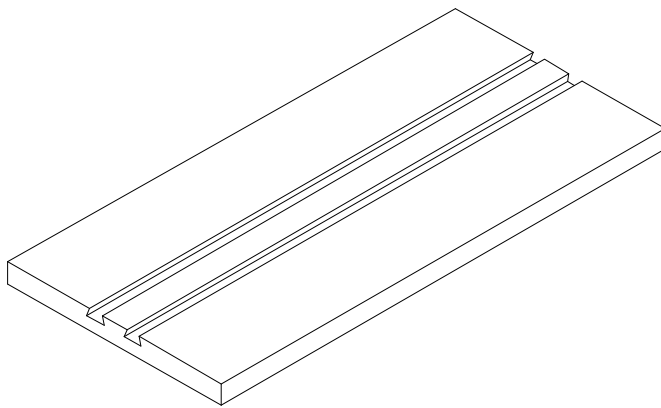


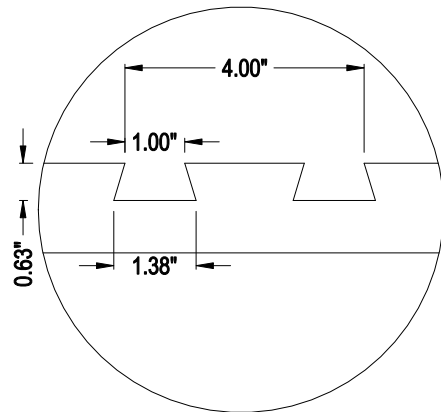


PREBUCK
 583 NORTH WHITMAN CT.
 ADA, MI 49301
 PHONE: (616) 309-6256
 FAX: (616) 551-5306
 www.prebuckproducts.com

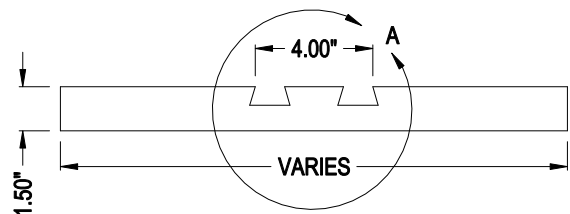


ISOMETRIC

PREBUCK TREATED LSL INTEGRATED
 FRAMING SYSTEM WITH ZINC BORATE
 1.3 MODULUS OF ELASTICITY
 MDI RESIN BONDING AGENT
 1.50" THICK



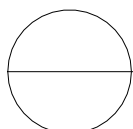
DETAIL A



PROFILE

NOTES:

1. FABRICATION AND MATERIAL SPECS FOR PRODUCT PROVIDED BY PREBUCK PRODUCTS, INC. NO STRUCTURAL ANALYSIS OR LOAD TESTING HAS BEEN PERFORMED ON THIS PRODUCT. THE DETERMINATION OF APPROPRIATE USE CONDITIONS REMAINS THE RESPONSIBILITY OF THE END USER/CONTRACTOR. FASTENING SCHEDULE BY END USER/CONTRACTOR.
2. INSTALLATION TO BE COMPLETED IN ACCORDANCE WITH MANUFACTURER'S SPECIFICATIONS.
3. DO NOT SCALE DRAWING.
4. THIS DRAWING IS INTENDED FOR USE BY ARCHITECTS, ENGINEERS, CONTRACTORS, CONSULTANTS AND DESIGN PROFESSIONALS FOR PLANNING PURPOSES ONLY. THIS DRAWING MAY NOT BE USED FOR CONSTRUCTION.
5. ALL INFORMATION CONTAINED HEREIN WAS CURRENT AT THE TIME OF DEVELOPMENT BUT MUST BE REVIEWED AND APPROVED BY THE PRODUCT MANUFACTURER TO BE CONSIDERED ACCURATE.
6. CONTRACTOR'S NOTE: FOR PRODUCT AND COMPANY INFORMATION VISIT www.prebuckproducts.com



PREBUCK

TREATED LSL INTEGRATED FRAMING SYSTEM