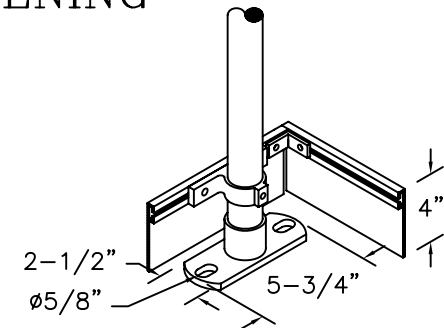


GUARDRAILS TO ENCLOSE FLOOR OPENING

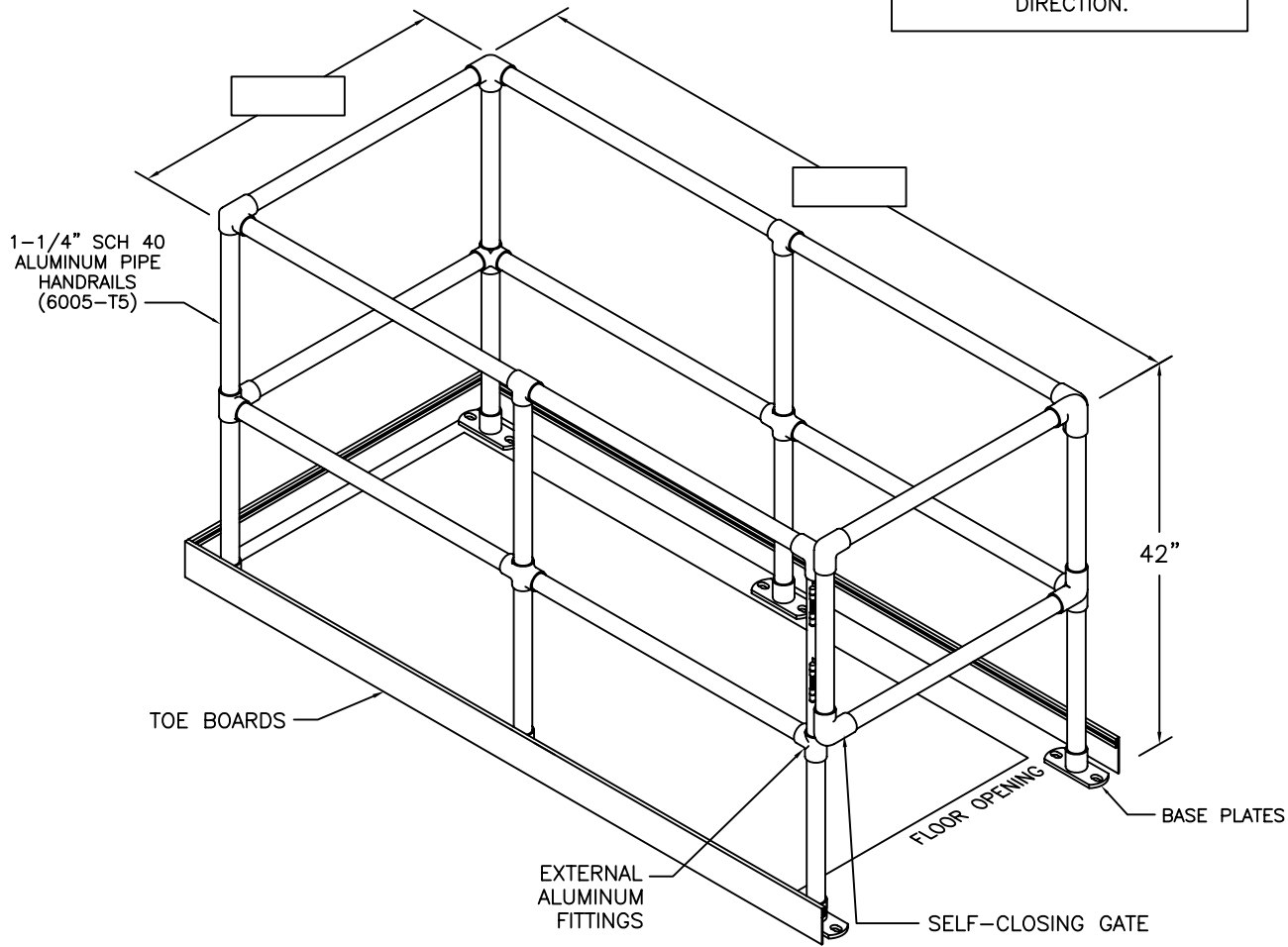
OSHA GUIDELINE:
THIS HANDRAIL SYSTEM HAS
BEEN TESTED TO WITHSTAND
200# LOADING IN ANY
DIRECTION.



**BASE PLATE &
TOE BOARD DETAIL**
HANDRAIL CAN BE FLOOR MOUNTED
w/ BASE PLATES OR CAN BE
MOUNTED TO FRAME.

NOTE:
ALL BOLTS/FASTENERS
NECESSARY TO ANCHOR
LADDER ARE BY OTHERS.

**FACTORY FINISH
ALUMINUM-MILL FINISH**



1-1/4" SCH 40
ALUMINUM PIPE
HANDRAILS
(6005-T5)

TOE BOARDS

EXTERNAL
ALUMINUM
FITTINGS

FLOOR OPENING


SELF-CLOSING GATE

BASE PLATES

42"

SCALE

AGRS-F

 Precision Ladders, LLC P.O. BOX 2279 Morristown, TN 37816-2279 Ph: (423) 586-2265 Fax: (423) 586-2091 www.PrecisionLadders.com	WORK ORDER: <input checked="" type="checkbox"/>	DWG. CHECK	ARCHT OR ENGR.	PROJECT		PRECISION REP	
		BUILT BY:	PURCHASE ORDER	DATE 11/18/15	PURCHASER		SERIAL#
		CHECKED BY:	DRAWN BY: DNH	DATE	MODEL#	QTY.	