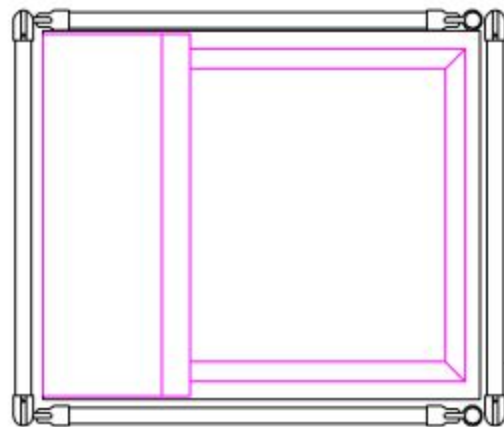
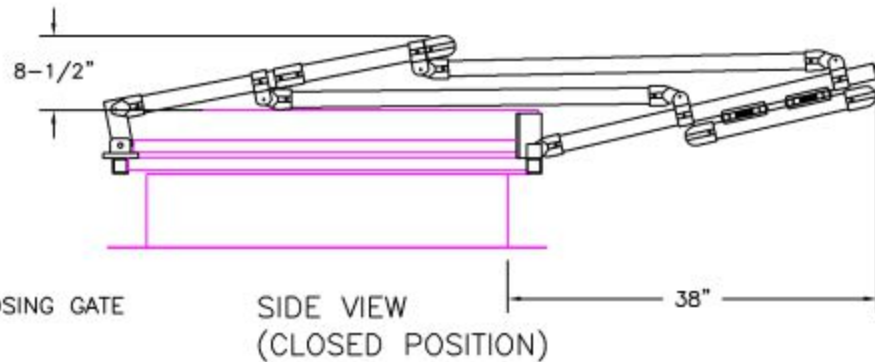


# ALUMINUM FOLDING GUARD RAIL SYSTEM FOR ROOF HATCH

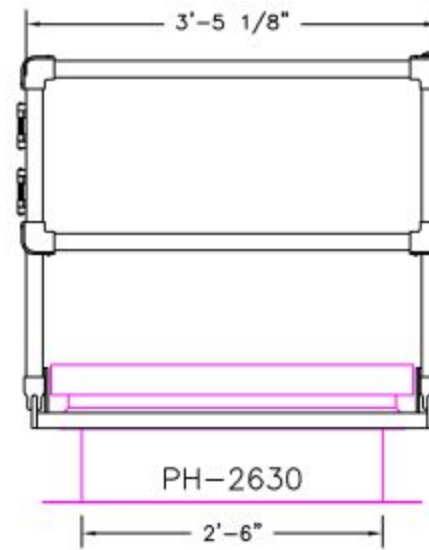
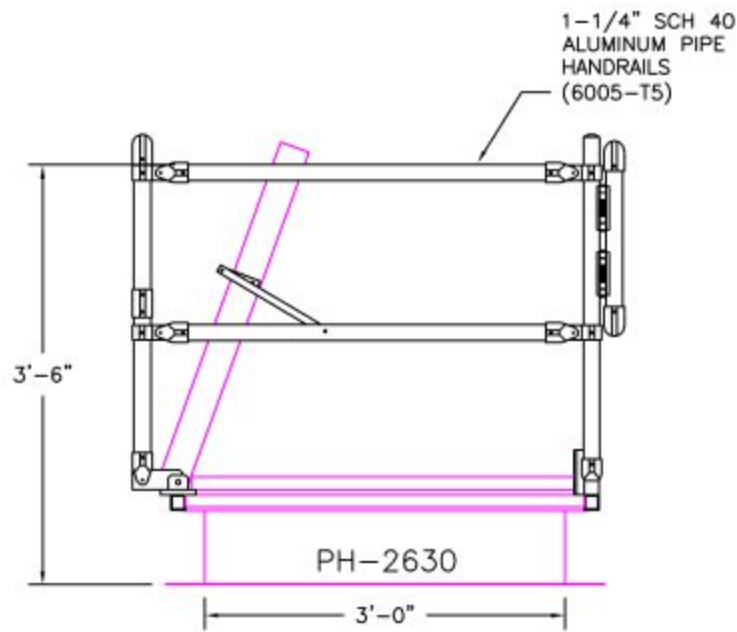


SELF-CLOSING GATE



SIDE VIEW  
(CLOSED POSITION)

OSHA GUIDELINE:  
THIS HANDRAIL SYSTEM HAS  
BEEN TESTED TO WITHSTAND  
200# LOADING IN ANY  
DIRECTION.



FACTORY FINISH  
ALUMINUM-MILL FINISH

**Precision Ladders, LLC**  
 P.O. BOX 2279 Morristown, TN 37816-2279  
 Ph: (423) 586-2265 Fax: (423) 586-2091  
 www.PrecisionLadders.com

WORK ORDER: ( )	DWG. CHECK	ARCHT OR ENG'R.	PROJECT		PRECISION REP
	BUILT BY:	PURCHASE ORDER	WORK ORDER	PURCHASER	SERIAL#
	CHECKED BY:	DRAWN BY: DNH	DATE: 9/1/21	MODEL#	QTY.