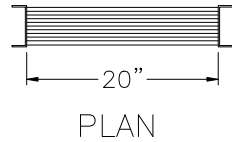
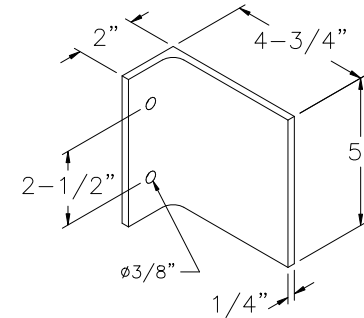


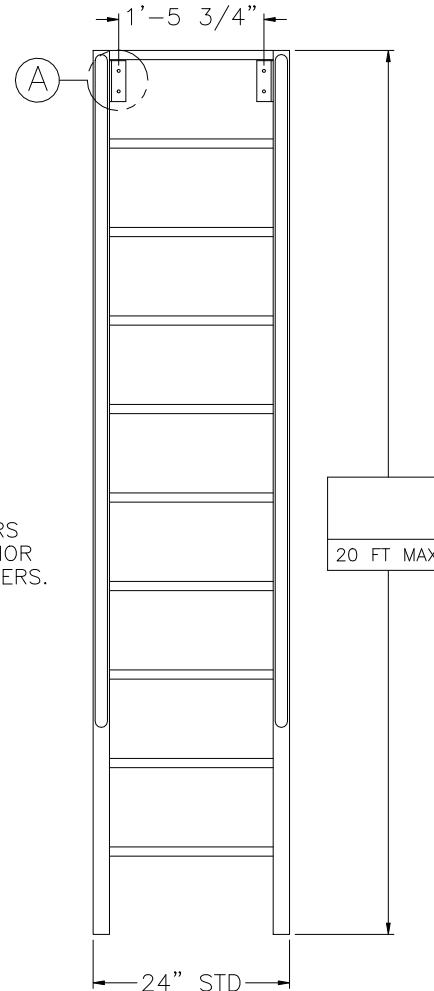
ALUMINUM SHIPS STAIR TO ROOF HATCH



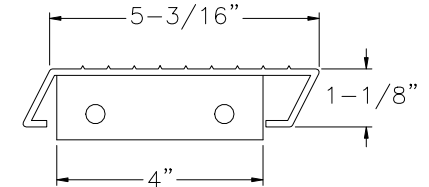
Ⓐ MOUNTING BRACKET
(6005-T5)



BRACKET WELDED TO
INSIDE OF STRINGER

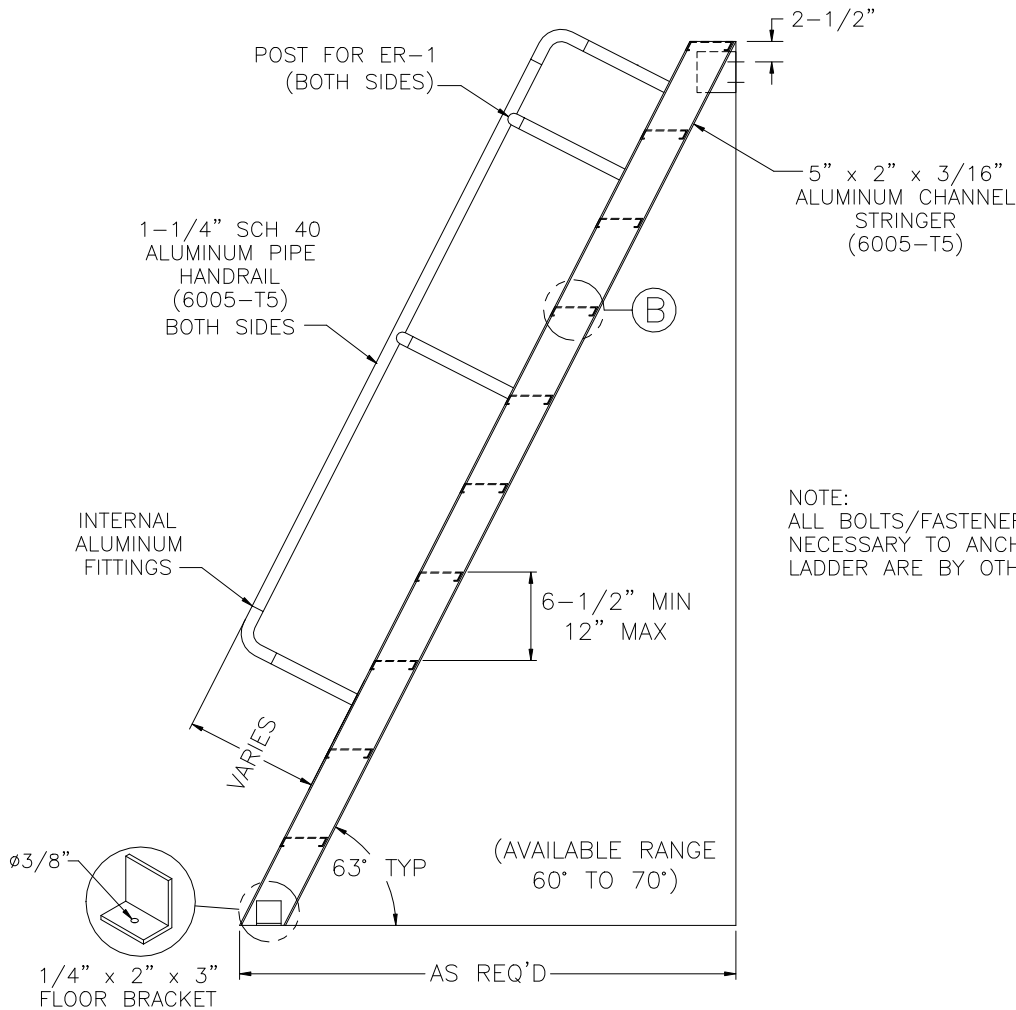


Ⓑ ALUMINUM TREAD
(6005-T5)



1-1/4" x 1-1/4" x 1/4"
ANGLE WELDED TO TREAD

TREAD WELDED AND BOLTED
TO STRINGER WITH 1/4"
ROUND HEAD BOLTS



FACTORY FINISH
ALUMINUM-MILL FINISH

(AVAILABLE UP TO 48" WIDE)

OSHA 1910.25

SL-01

Precision Ladders, LLC
P.O. BOX 2279 Morristown, TN 37816-2279
Ph: (423) 586-2265 Fax: (423) 586-2091
www.PrecisionLadders.com

WORK ORDER: ()

DWG. CHECK	ARCH'T OR ENG'R.	PROJECT		PRECISION REP
BUILT BY:	PURCHASE ORDER	WORK ORDER	PURCHASER	SERIAL#
CHECKED BY:	DRAWN BY: DNH	DATE: 4/4/19	MODEL#: SL-	QTY.